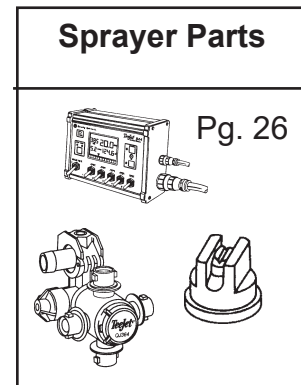
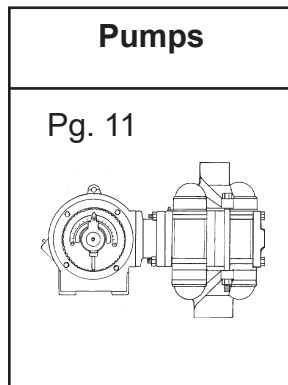
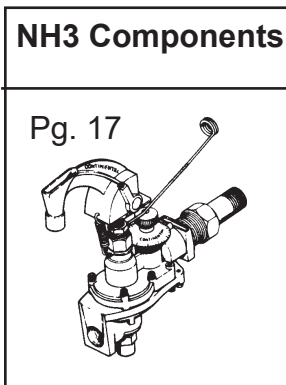
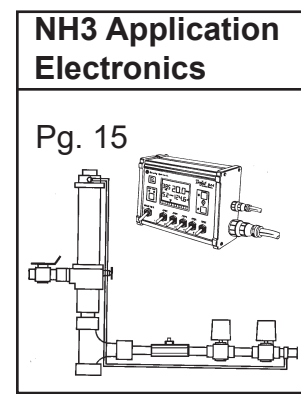
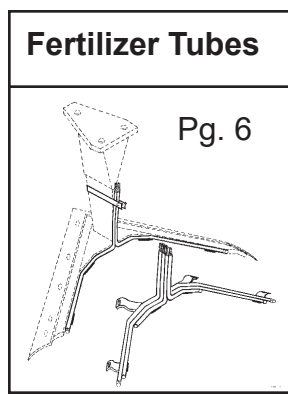
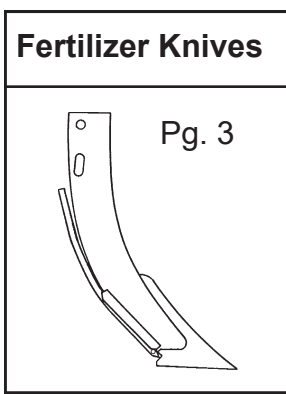


Golden Plains Ag Tech

Prices and Products

Effective October 1st, 2017



See the Golden Plains complete catalog at:

www.GoldenPlains.com

Golden Plains Ag Tech • 650 E. Pine • Colby, Kansas • **800.255.8280**

Instruction

About our Publications

This publication is a shortened list of the most often referenced products in our lines.

Please look at GoldenPlains.com for our complete catalog, detailed parts, and price list. You will also find specifications and expanded usage recommendations on the web site.

Price

This publication shows only list prices. Prices are current as of the date of publication but are subject to change.

Orders

We are pleased to accept your orders by Phone, E-mail, or by Fax at 785-462-3411. We use automated answering machines after regular working hours.

Freight

You usually pay freight from Colby to your door. We usually ship UPS. We charge you the UPS rates plus \$3.00, per package for handling.

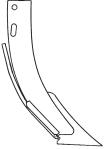

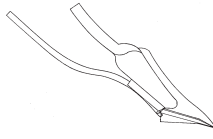
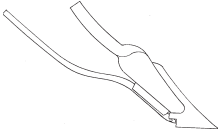

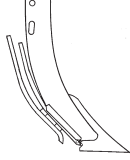
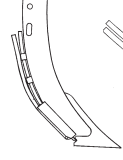
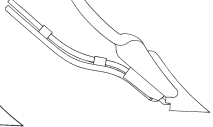

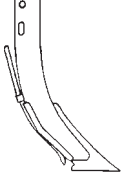
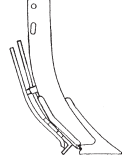
Payment

We are happy to accept your Master Card, Visa, or Discover Card. You may choose C.O.D. if you are willing to pay the extra UPS collection charge. You may also prefer to send a check for the full amount in advance. Terms are available to customers with prior approval and your account must be current. We assess a finance charge of 1.5% per month for any account past due.

Guarantees




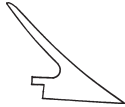



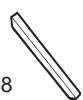
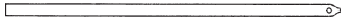

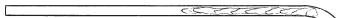

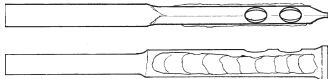
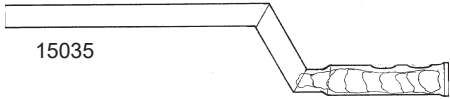
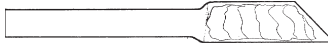
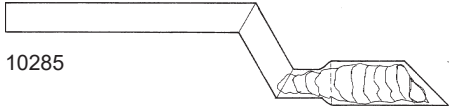
Most of our component suppliers will provide a written warranty with their products. We will facilitate any warranty claim that you have. We are, of course, limited to the terms of their agreements. Please contact us first on any product that you purchased from us, regardless of the originating company.

FERTILIZER KNIVES

<p>DIAMOND STAR PRO-TECH SERIES KNIVES</p>  <p>32276</p>	<table border="0"> <tr> <td>32276</td> <td>DS 151</td> <td>\$46.70</td> </tr> <tr> <td>32343</td> <td>DS 151 with Sealer.....</td> <td>53.86</td> </tr> <tr> <td>35125</td> <td>DS 151 with 1/2" NH3 Tube.....</td> <td>46.18</td> </tr> <tr> <td>35129</td> <td>DS 151 Cold-flo.....</td> <td>48.90</td> </tr> <tr> <td>33375</td> <td>DS 151 20"</td> <td>57.40</td> </tr> <tr> <td>34698</td> <td>DS 151 20" with Sealer</td> <td>64.56</td> </tr> </table>	32276	DS 151	\$46.70	32343	DS 151 with Sealer.....	53.86	35125	DS 151 with 1/2" NH3 Tube.....	46.18	35129	DS 151 Cold-flo.....	48.90	33375	DS 151 20"	57.40	34698	DS 151 20" with Sealer	64.56				
32276	DS 151	\$46.70																					
32343	DS 151 with Sealer.....	53.86																					
35125	DS 151 with 1/2" NH3 Tube.....	46.18																					
35129	DS 151 Cold-flo.....	48.90																					
33375	DS 151 20"	57.40																					
34698	DS 151 20" with Sealer	64.56																					
<p>TOPO STAR SERIES KNIVES</p>  <p>37350</p>  <p>37353</p>	<table border="0"> <tr> <td>37350</td> <td>DS 151 Topo.....</td> <td>56.12</td> </tr> <tr> <td>37351</td> <td>DS 151 Topo with Sealer.....</td> <td>63.24</td> </tr> <tr> <td>37382</td> <td>DS 151 Topo w/ 1/2" NH3 Tube.....</td> <td>56.12</td> </tr> <tr> <td>37481</td> <td>DS 151 Topo Cold-flo</td> <td>60.14</td> </tr> <tr> <td>37543</td> <td>DS 151 20" Topo</td> <td>66.34</td> </tr> <tr> <td>37544</td> <td>DS 151 20" Topo with Sealer.....</td> <td>73.50</td> </tr> <tr> <td>37353</td> <td>DS 152A Topo</td> <td>54.10</td> </tr> </table>	37350	DS 151 Topo.....	56.12	37351	DS 151 Topo with Sealer.....	63.24	37382	DS 151 Topo w/ 1/2" NH3 Tube.....	56.12	37481	DS 151 Topo Cold-flo	60.14	37543	DS 151 20" Topo	66.34	37544	DS 151 20" Topo with Sealer.....	73.50	37353	DS 152A Topo	54.10	
37350	DS 151 Topo.....	56.12																					
37351	DS 151 Topo with Sealer.....	63.24																					
37382	DS 151 Topo w/ 1/2" NH3 Tube.....	56.12																					
37481	DS 151 Topo Cold-flo	60.14																					
37543	DS 151 20" Topo	66.34																					
37544	DS 151 20" Topo with Sealer.....	73.50																					
37353	DS 152A Topo	54.10																					
<p>DIAMOND STAR KNIVES</p>  <p>30128</p>  <p>31416</p>	<table border="0"> <tr> <td>30128</td> <td>DS 152A.....</td> <td>54.10</td> </tr> <tr> <td>36023</td> <td>DS 152A w/ 1/2" NH3 Tube</td> <td>54.18</td> </tr> <tr> <td>31416</td> <td>DS 151 Backswept 3/8" Tube.....</td> <td>54.00</td> </tr> <tr> <td>35141</td> <td>DS 151 Backswept 1/2" Tube.....</td> <td>54.10</td> </tr> <tr> <td>36618</td> <td>DS 151 Backswept 20".....</td> <td>56.02</td> </tr> </table>	30128	DS 152A.....	54.10	36023	DS 152A w/ 1/2" NH3 Tube	54.18	31416	DS 151 Backswept 3/8" Tube.....	54.00	35141	DS 151 Backswept 1/2" Tube.....	54.10	36618	DS 151 Backswept 20".....	56.02							
30128	DS 152A.....	54.10																					
36023	DS 152A w/ 1/2" NH3 Tube	54.18																					
31416	DS 151 Backswept 3/8" Tube.....	54.00																					
35141	DS 151 Backswept 1/2" Tube.....	54.10																					
36618	DS 151 Backswept 20".....	56.02																					
<p>DIAMOND STAR DUAL KNIVES</p>  <p>33811</p>  <p>33415</p>  <p>35922</p>	<table border="0"> <tr> <td>33811</td> <td>DS 151 Dual.....</td> <td>55.82</td> </tr> <tr> <td>33415</td> <td>DS 151 Dual w/plastic Liquid Tube.....</td> <td>60.82</td> </tr> <tr> <td>37007</td> <td>DS 151 Dual w/plug Protector</td> <td>55.82</td> </tr> <tr> <td>35922</td> <td>DS 152A Dual w/plastic Liquid Tube</td> <td>61.76</td> </tr> </table>	33811	DS 151 Dual.....	55.82	33415	DS 151 Dual w/plastic Liquid Tube.....	60.82	37007	DS 151 Dual w/plug Protector	55.82	35922	DS 152A Dual w/plastic Liquid Tube	61.76										
33811	DS 151 Dual.....	55.82																					
33415	DS 151 Dual w/plastic Liquid Tube.....	60.82																					
37007	DS 151 Dual w/plug Protector	55.82																					
35922	DS 152A Dual w/plastic Liquid Tube	61.76																					
STRIP-TILL SPECIAL KNIVES																							
<p>STRIP-TILL NH3</p>  <p>38220</p>	<table border="0"> <tr> <td>38210</td> <td>DS 151 Topo Star NH3 16".....</td> <td>63.52</td> </tr> <tr> <td>38220</td> <td>DS 151 Topo Star NH3 20".....</td> <td>74.22</td> </tr> <tr> <td>38215</td> <td>DS 151 Pro-Tech NH3 16"</td> <td>54.14</td> </tr> <tr> <td>38225</td> <td>DS 151 Pro-Tech NH3 20"</td> <td>64.84</td> </tr> </table>	38210	DS 151 Topo Star NH3 16".....	63.52	38220	DS 151 Topo Star NH3 20".....	74.22	38215	DS 151 Pro-Tech NH3 16"	54.14	38225	DS 151 Pro-Tech NH3 20"	64.84										
38210	DS 151 Topo Star NH3 16".....	63.52																					
38220	DS 151 Topo Star NH3 20".....	74.22																					
38215	DS 151 Pro-Tech NH3 16"	54.14																					
38225	DS 151 Pro-Tech NH3 20"	64.84																					
<p>STRIP-TILL LIQUID</p>  <p>38226</p>	<table border="0"> <tr> <td>38211</td> <td>DS 151 Topo Star Liquid 16"</td> <td>65.38</td> </tr> <tr> <td>38221</td> <td>DS 151 Topo Star Liquid 20"</td> <td>83.14</td> </tr> <tr> <td>38216</td> <td>DS 151 Pro-Tech Liquid 16"</td> <td>56.02</td> </tr> <tr> <td>38226</td> <td>DS 151 Pro-Tech Liquid 20"</td> <td>73.78</td> </tr> </table>	38211	DS 151 Topo Star Liquid 16"	65.38	38221	DS 151 Topo Star Liquid 20"	83.14	38216	DS 151 Pro-Tech Liquid 16"	56.02	38226	DS 151 Pro-Tech Liquid 20"	73.78										
38211	DS 151 Topo Star Liquid 16"	65.38																					
38221	DS 151 Topo Star Liquid 20"	83.14																					
38216	DS 151 Pro-Tech Liquid 16"	56.02																					
38226	DS 151 Pro-Tech Liquid 20"	73.78																					
<p>STRIP-TILL DUAL</p>  <p>38227</p>	<table border="0"> <tr> <td>38212</td> <td>DS 151 Topo Star Dual 16"</td> <td>72.64</td> </tr> <tr> <td>38222</td> <td>DS 151 Topo Star Dual 20"</td> <td>81.60</td> </tr> <tr> <td>38217</td> <td>DS 151 Pro-Tech Dual 16"</td> <td>63.26</td> </tr> <tr> <td>38227</td> <td>DS 151 Pro-Tech Dual 20"</td> <td>72.24</td> </tr> </table>	38212	DS 151 Topo Star Dual 16"	72.64	38222	DS 151 Topo Star Dual 20"	81.60	38217	DS 151 Pro-Tech Dual 16"	63.26	38227	DS 151 Pro-Tech Dual 20"	72.24										
38212	DS 151 Topo Star Dual 16"	72.64																					
38222	DS 151 Topo Star Dual 20"	81.60																					
38217	DS 151 Pro-Tech Dual 16"	63.26																					
38227	DS 151 Pro-Tech Dual 20"	72.24																					

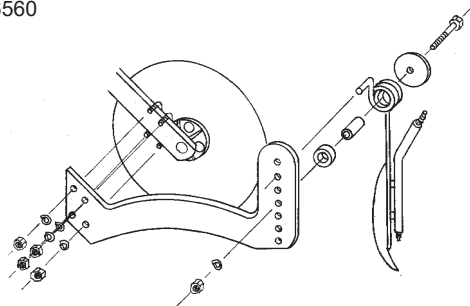
FERTILIZER KNIVES AND ACCESSORIES

List Price

SEALERS											
 10176	 10177	10176 Beavertail Sealer 10177 Beavertail Sealer, Installed	5.87 5.95								
REPLACEMENT POINTS & TUBE PROTECTORS											
 16699	 10760	 11055	16699 Pro-Tech Series Point 17349 Topo Series Point 11055 DS 152 Point 10760 DS 154 Point 11418 Backswept Knife Edge 10746 153 SPI Insert 17052 Conservation Star Point 11788 Tube Protector 17053 Conservation Star Tube Protector 15402 Dual Tube Protector, for Knife w/ Plastic Liquid Tube	10.18 16.67 12.92 10.33 9.30 9.30 9.60 3.92 4.35 12.92							
 11418	 10746	 17052	17349 11788 11788 15402	12.92 12.92 12.92 12.92							
KNIFE DELIVERY TUBES		NH3 Delivery Tubes									
 10174	 15502	 11033	 11034	 15033	 15035	 11327	 10285	<p style="text-align: center;">3/8 OD Tubes Closed end, Two 3/16" holes</p> <p style="text-align: center;">1/2 OD Tubes Closed end, Two 1/4" holes</p> <p style="text-align: center;">Curved, Open end Hardfaced</p> <p style="text-align: center;">Straight, Open end, Hardfaced</p> <p style="text-align: center;">Closed end, Two 1/2" holes, Hardfaced</p> <p style="text-align: center;">Open end, Hardfaced</p>	<p style="text-align: center;">Liquid Delivery Tubes</p> <p style="text-align: center;">Cold-Flo Tubes</p> <p style="text-align: center;">Vapor & Pneumatic Tubes</p>	10174 3/8 OD x 12 Long 10175 3/8 OD x 12 Long Installed 11727 3/8 OD x 12 Long Flattened 11799 3/8 OD x 12 Long Flattened, Installed 17932 3/8 OD x 12 Long SS 17933 3/8 OD x 12 Long SS Installed 17936 3/8 OD x 12 Long SS Flattened 17937 3/8 OD x 12 Long SS Flattened Installed 15502 3/8 OD x 15 Long 11013 3/8 OD x 15 Long Installed 17934 3/8 OD x 15 Long SS 17935 3/8 OD x 15 Long SS Installed 11581 1/2 OD x 12 Long 11582 1/2 OD x 12 Long Installed 17938 1/2 OD x 12 Long SS 17939 1/2 OD x 12 Long SS Installed 15503 1/2 OD x 15 Long 15339 1/2 OD x 15 Long Installed 17940 1/2 OD x 15 Long SS 17941 1/2 OD x 15 Long SS Installed	2.97 3.80 2.93 3.78 4.15 5.12 5.65 6.62 3.43 4.45 4.98 5.93 4.35 5.92 4.62 5.58 4.05 5.03 5.55 6.77
				5.03 5.73 6.03 6.68 5.63 6.28 6.75 6.77							
				5.53 6.20							
				6.25 7.57 7.42 8.38 7.13 8.18 8.53 10.14							

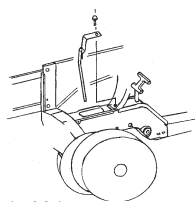
SLOT TRACKER

26560

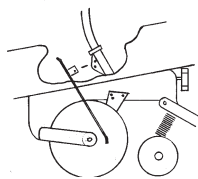


26560	Slot Tracker Assy for Yetter 2930-020B 20" Coulter	\$118.90
26947	Slot Tracker Assy for Blue-Jet 20" Coulter.....	119.73
27175	Slot Tracker Assy for Yetter 2995 & 96 Parallel Coulter	88.50
27205	Slot Tracker Assy for Yetter 2990 & 75 RH Parallel Coulter	97.71
27206	Slot Tracker Assy for Yetter 2990 & 75 LH Parallel Coulter	97.00
36946	Slot Tracker, RH	35.13
37198	Slot Tracker, LH.....	35.13
16557	Slot Tracker Arm.....	57.08
16135	Stream Jet Nozzle, size 02, 03, 04, 06, 08, 10, 15, 20,& 30	9.63

LIQUID FERTILIZER TUBES FOR PLANTERS



15621

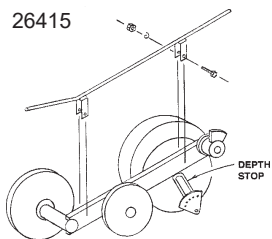


15622

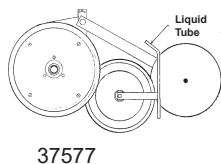
15723	JD 7000/7100 & Kinze SS	13.62
15621	JD 7200/7300 Before 1994 & 1700, SS.....	18.53
16156	JD 7200/7300 1994 and Newer, SS.....	18.53
25975	IH 400 Cyclo, SS.....	19.38
15622	IH 900 Cyclo, SS.....	16.98
17608	White 5100, SS.....	17.38
17609	White 6100, SS.....	11.22
25974	Buffalo Planter, SS.....	27.36

LIQUID FERTILIZER TUBES FOR DRILLS

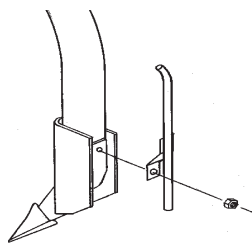
26415



16739

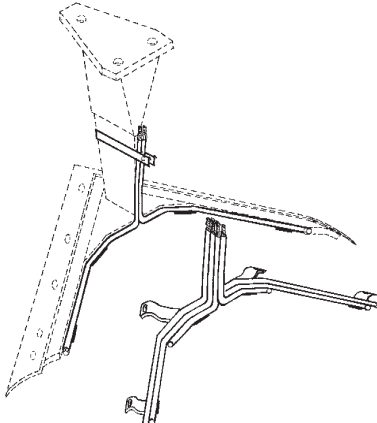
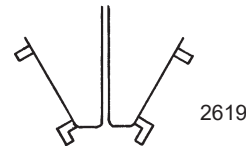
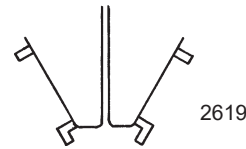
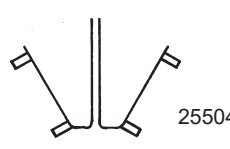
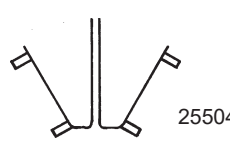
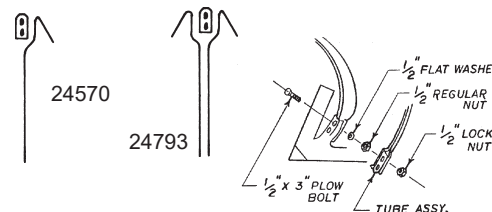
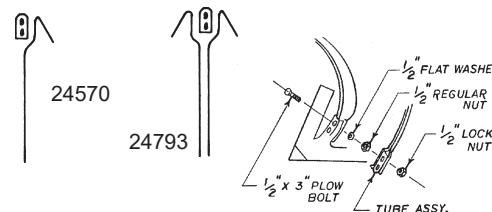
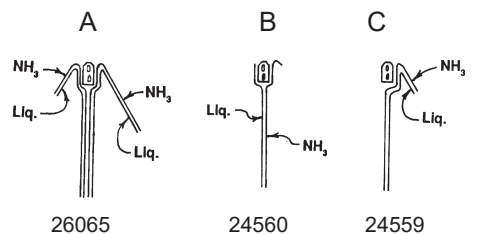


37577



16744

16742	JD 455/450, SS	21.15
26415	JD 750 RH, SS.....	27.32
26416	JD 750 LH, SS.....	27.32
37577	JD 1560 RH, SS.....	11.62
37578	JD 1560 LH, SS	11.62
16739	JD 9300.....	10.32
16744	JD 9400, SS.....	17.93
21478	IH 7100 SS.....	13.87
21477	IH 150	20.70
15931	IHC 5100.....	9.90
16422-L	Crustbuster 4000, 1994 & Newer, LH	21.83
16422-R	Crustbuster 4000, 1994 & Newer, RH	21.83
15930	Crustbuster Double Disk.....	17.62
16375	Crustbuster Hoe Drill, with Acra-Plant Boot, SS.....	9.97
16421	Great Plains Double Disk, w/Seed Lock, 1992 & Older, SS	15.77
16928	Great Plains Double Disk, w/Seed Lock, 1993 & Newer, SS	15.77
15721	Great Plains Double Disk, SS.....	16.43
21479	Noble/Versitile.....	27.42
17059	Sunflower 9431 Before 1996, SS	15.15
17217	Sunflower 9431 & 9432, 1996 & Newer, SS.....	21.48
17039	Krause with Rotary Scraper 5400, SS	18.25

SWEEP TUBES				
	Rear Mount NH3	21850 5', 75 Degree 21851 6', 75 Degree 21852 7', 75 Degree	\$88.61 94.80 109.04	
	Rear Mount Liquid Fertilizer	20826 5', 75 Degree 20827 6', 75 Degree 21389 7', 75 Degree	103.64 125.32 130.28	
	Rear Mount Combination NH3 & Liquid Fertilizer	21790 5', 75 Degree 21791 6', 75 Degree 21792 7', 75 Degree 23388 Sweep Tube Plow Bolt, w/jam nut 21799 Sweep Tube Strap w/bolt & nut 27951 Square Sweep Tube Strap	154.73 177.37 209.20 .82 6.24 6.48	
	QUINSTAR LASER PLOW TUBES			
		26198	NH3 Liquid Fertilizer Combination NH3 & Liquid Fertilizer Sweep Tube Plow Bolt, w/Nut Sweep Tube Strap w/Bolt and Nut.....	80.44 131.16 165.66 2.13 11.64
		26198	NH3 Liquid Fertilizer Combination NH3 & Liquid Fertilizer Sweep Tube Plow Bolt, w/Nut Sweep Tube Strap w/Bolt and Nut.....	80.44 131.16 165.66 2.13 11.64
	KENT PLAINS PLOW TUBES			
		25504	4' NH3 4' Liquid Fertilizer 4' Combination NH3 & Liquid Fertilizer Sweep Tube Plow Bolt with Nut Sweep Tube Strap with Bolt and Nut.....	68.56 64.24 160.89 2.13 11.64
		25504	4' NH3 4' Liquid Fertilizer 4' Combination NH3 & Liquid Fertilizer Sweep Tube Plow Bolt with Nut Sweep Tube Strap with Bolt and Nut.....	68.56 64.24 160.89 2.13 11.64
QUINSTAR FALLOW-MASTER TUBES				
	NH3	24570 20" Outlet Spacing, 3/8" OD Pipe 26718 20" Outlet Spacing, 1/2" OD Pipe 24785 10" Outlet Spacing, 3/8" OD Pipe 25206 NH3 Flow Splitter	23.84 29.04 25.76 11.71	
	Liquid Fertilizer	24786 A Tube for 15" Spacing, 3/8" OD Pipe 24787 B Tube for 15" Spacing, 3/8" OD Pipe 24788 C Tube for 15" Spacing, 3/8" OD Pipe 27555 10" Outlet Spacing, 3/8" OD Pipe, SS	46.28 39.18 36.58 71.02	
	Comb. NH3 & Liquid	26065 A Tube for 15" Spacing, 3/8" OD Pipe 24560 B Tube for 15" Spacing, 3/8" OD Pipe 24559 C Tube for 15" Spacing, 3/8" OD Pipe 25452 10" Outlet Spacing, 3/8" OD Pipe	79.36 28.14 34.06 85.47	

SUNFLOWER FALLOW KING TUBES

	<table style="width: 100%; border-collapse: collapse;"> <tr> <td style="width: 10%;"></td> <td style="width: 10%;">NH3</td> <td style="width: 70%;">24970 20" Outlet Spacing, 3/8" OD Pipe.....</td> <td style="width: 10%; text-align: right;">\$23.94</td> </tr> <tr> <td></td> <td></td> <td>26728 20" Outlet Spacing, 1/2" OD Pipe.....</td> <td style="text-align: right;">28.86</td> </tr> <tr> <td></td> <td></td> <td>24795 10" Outlet Spacing, 3/8" OD Pipe.....</td> <td style="text-align: right;">25.90</td> </tr> <tr> <td></td> <td></td> <td>25206 NH3 Flow Splitter</td> <td style="text-align: right;">11.71</td> </tr> <tr> <td></td> <td></td> <td>24798 A Tube for 15" Spacing, 3/8" OD Pipe.....</td> <td style="text-align: right;">46.30</td> </tr> <tr> <td></td> <td>Liquid</td> <td>24799 B Tube for 15" Spacing, 3/8" OD Pipe.....</td> <td style="text-align: right;">39.18</td> </tr> <tr> <td></td> <td>Fertilizer</td> <td>24800 C Tube for 15" Spacing, 3/8" OD Pipe</td> <td style="text-align: right;">36.58</td> </tr> <tr> <td></td> <td></td> <td>27953 10" Outlet Spacing, 3/8" OD Pipe, SS.....</td> <td style="text-align: right;">76.64</td> </tr> <tr> <td></td> <td></td> <td>26067 A Tube for 15" Spacing, 3/8" OD Pipe.....</td> <td style="text-align: right;">79.22</td> </tr> <tr> <td></td> <td>Comb.</td> <td>24806 B Tube for 15" Spacing, 3/8" OD Pipe.....</td> <td style="text-align: right;">28.16</td> </tr> <tr> <td></td> <td>NH3 &</td> <td>24805 C Tube for 15" Spacing, 3/8" OD Pipe</td> <td style="text-align: right;">35.00</td> </tr> <tr> <td></td> <td>Liquid</td> <td>25515 10" Outlet Spacing, 3/8" OD Pipe.....</td> <td style="text-align: right;">72.66</td> </tr> </table>		NH3	24970 20" Outlet Spacing, 3/8" OD Pipe.....	\$23.94			26728 20" Outlet Spacing, 1/2" OD Pipe.....	28.86			24795 10" Outlet Spacing, 3/8" OD Pipe.....	25.90			25206 NH3 Flow Splitter	11.71			24798 A Tube for 15" Spacing, 3/8" OD Pipe.....	46.30		Liquid	24799 B Tube for 15" Spacing, 3/8" OD Pipe.....	39.18		Fertilizer	24800 C Tube for 15" Spacing, 3/8" OD Pipe	36.58			27953 10" Outlet Spacing, 3/8" OD Pipe, SS.....	76.64			26067 A Tube for 15" Spacing, 3/8" OD Pipe.....	79.22		Comb.	24806 B Tube for 15" Spacing, 3/8" OD Pipe.....	28.16		NH3 &	24805 C Tube for 15" Spacing, 3/8" OD Pipe	35.00		Liquid	25515 10" Outlet Spacing, 3/8" OD Pipe.....	72.66	
	NH3	24970 20" Outlet Spacing, 3/8" OD Pipe.....	\$23.94																																															
		26728 20" Outlet Spacing, 1/2" OD Pipe.....	28.86																																															
		24795 10" Outlet Spacing, 3/8" OD Pipe.....	25.90																																															
		25206 NH3 Flow Splitter	11.71																																															
		24798 A Tube for 15" Spacing, 3/8" OD Pipe.....	46.30																																															
	Liquid	24799 B Tube for 15" Spacing, 3/8" OD Pipe.....	39.18																																															
	Fertilizer	24800 C Tube for 15" Spacing, 3/8" OD Pipe	36.58																																															
		27953 10" Outlet Spacing, 3/8" OD Pipe, SS.....	76.64																																															
		26067 A Tube for 15" Spacing, 3/8" OD Pipe.....	79.22																																															
	Comb.	24806 B Tube for 15" Spacing, 3/8" OD Pipe.....	28.16																																															
	NH3 &	24805 C Tube for 15" Spacing, 3/8" OD Pipe	35.00																																															
	Liquid	25515 10" Outlet Spacing, 3/8" OD Pipe.....	72.66																																															
	<table style="width: 100%; border-collapse: collapse;"> <tr> <td style="width: 10%;"></td> <td style="width: 10%;"></td> <td style="width: 70%;">26067 A Tube for 15" Spacing, 3/8" OD Pipe.....</td> <td style="width: 10%; text-align: right;">79.22</td> </tr> <tr> <td></td> <td>Comb.</td> <td>24806 B Tube for 15" Spacing, 3/8" OD Pipe.....</td> <td style="text-align: right;">28.16</td> </tr> <tr> <td></td> <td>NH3 &</td> <td>24805 C Tube for 15" Spacing, 3/8" OD Pipe</td> <td style="text-align: right;">35.00</td> </tr> <tr> <td></td> <td>Liquid</td> <td>25515 10" Outlet Spacing, 3/8" OD Pipe.....</td> <td style="text-align: right;">72.66</td> </tr> </table>			26067 A Tube for 15" Spacing, 3/8" OD Pipe.....	79.22		Comb.	24806 B Tube for 15" Spacing, 3/8" OD Pipe.....	28.16		NH3 &	24805 C Tube for 15" Spacing, 3/8" OD Pipe	35.00		Liquid	25515 10" Outlet Spacing, 3/8" OD Pipe.....	72.66																																	
		26067 A Tube for 15" Spacing, 3/8" OD Pipe.....	79.22																																															
	Comb.	24806 B Tube for 15" Spacing, 3/8" OD Pipe.....	28.16																																															
	NH3 &	24805 C Tube for 15" Spacing, 3/8" OD Pipe	35.00																																															
	Liquid	25515 10" Outlet Spacing, 3/8" OD Pipe.....	72.66																																															

SUBSOILER TUBES

	<table style="width: 100%; border-collapse: collapse;"> <tr> <td style="width: 10%;"></td> <td style="width: 10%;">25108</td> <td style="width: 70%;">Straight Subsoiler Tube, 1/2" OD</td> <td style="width: 10%; text-align: right;">19.98</td> </tr> <tr> <td></td> <td>26922</td> <td>Straight Subsoiler Tube, 1/2" OD, with 3/4" OD Vapor Tube</td> <td style="text-align: right;">26.30</td> </tr> <tr> <td></td> <td>25038</td> <td>Straight Subsoiler Cold-flo Tube, 1/2" OD</td> <td style="text-align: right;">19.00</td> </tr> <tr> <td></td> <td>20318</td> <td>Curved Subsoiler Cold-flo Tube, 1/2" OD.....</td> <td style="text-align: right;">17.52</td> </tr> </table>		25108	Straight Subsoiler Tube, 1/2" OD	19.98		26922	Straight Subsoiler Tube, 1/2" OD, with 3/4" OD Vapor Tube	26.30		25038	Straight Subsoiler Cold-flo Tube, 1/2" OD	19.00		20318	Curved Subsoiler Cold-flo Tube, 1/2" OD.....	17.52	
	25108	Straight Subsoiler Tube, 1/2" OD	19.98															
	26922	Straight Subsoiler Tube, 1/2" OD, with 3/4" OD Vapor Tube	26.30															
	25038	Straight Subsoiler Cold-flo Tube, 1/2" OD	19.00															
	20318	Curved Subsoiler Cold-flo Tube, 1/2" OD.....	17.52															

CHISEL TUBES

	<table style="width: 100%; border-collapse: collapse;"> <tr> <td style="width: 10%;"></td> <td style="width: 10%;">36088</td> <td style="width: 70%;">17" Long NH3, 3/8" OD</td> <td style="width: 10%; text-align: right;">10.70</td> </tr> <tr> <td></td> <td>30182</td> <td>20" Long NH3, 3/8" OD</td> <td style="text-align: right;">10.88</td> </tr> <tr> <td></td> <td>33370</td> <td>17" Long Liquid, 3/8" OD</td> <td style="text-align: right;">12.90</td> </tr> <tr> <td></td> <td>31784</td> <td>20" Long Combination NH3 & Liquid, 3/8" OD</td> <td style="text-align: right;">21.84</td> </tr> <tr> <td></td> <td>30483</td> <td>TB-2M Cold-flo Tube, 1/2" OD</td> <td style="text-align: right;">17.46</td> </tr> </table>		36088	17" Long NH3, 3/8" OD	10.70		30182	20" Long NH3, 3/8" OD	10.88		33370	17" Long Liquid, 3/8" OD	12.90		31784	20" Long Combination NH3 & Liquid, 3/8" OD	21.84		30483	TB-2M Cold-flo Tube, 1/2" OD	17.46	
	36088	17" Long NH3, 3/8" OD	10.70																			
	30182	20" Long NH3, 3/8" OD	10.88																			
	33370	17" Long Liquid, 3/8" OD	12.90																			
	31784	20" Long Combination NH3 & Liquid, 3/8" OD	21.84																			
	30483	TB-2M Cold-flo Tube, 1/2" OD	17.46																			

FIELD CULTIVATOR TUBES

	<table style="width: 100%; border-collapse: collapse;"> <tr> <td style="width: 10%;"></td> <td style="width: 10%;">26025</td> <td style="width: 70%;">Kent 6500, Double Cold-flo, 1/2" OD</td> <td style="width: 10%; text-align: right;">28.16</td> </tr> <tr> <td></td> <td>25960</td> <td>Kent 6500, Single Liquid, 1/2" OD.....</td> <td style="text-align: right;">25.76</td> </tr> <tr> <td></td> <td>30187</td> <td>TB-2 Universal Cultivator Cold-flo Tube, 1/2" OD</td> <td style="text-align: right;">18.16</td> </tr> </table>		26025	Kent 6500, Double Cold-flo, 1/2" OD	28.16		25960	Kent 6500, Single Liquid, 1/2" OD.....	25.76		30187	TB-2 Universal Cultivator Cold-flo Tube, 1/2" OD	18.16	
	26025	Kent 6500, Double Cold-flo, 1/2" OD	28.16											
	25960	Kent 6500, Single Liquid, 1/2" OD.....	25.76											
	30187	TB-2 Universal Cultivator Cold-flo Tube, 1/2" OD	18.16											

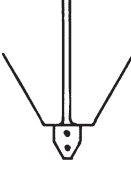
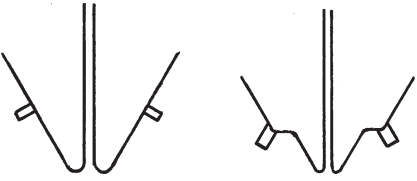
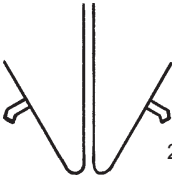
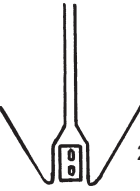
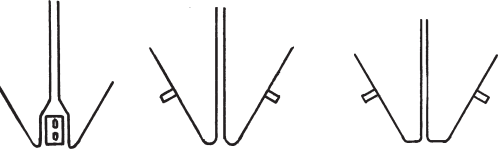
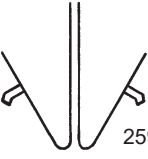
ROW CULTIVATOR KNIFE MOUNTING BRACKETS

	<table style="width: 100%; border-collapse: collapse;"> <tr> <td style="width: 10%;"></td> <td style="width: 10%;">25120</td> <td style="width: 70%;">JD 885 Cultivator.....</td> <td style="width: 10%; text-align: right;">109.36</td> </tr> <tr> <td></td> <td>26682</td> <td>Buffalo 6300 Cultivator</td> <td style="text-align: right;">115.02</td> </tr> <tr> <td></td> <td>26683</td> <td>Orthman, Fits Machines with 1" x 3" Vertical Shanks.....</td> <td style="text-align: right;">72.80</td> </tr> <tr> <td></td> <td>26248</td> <td>Wetherell Cultivator</td> <td style="text-align: right;">70.98</td> </tr> </table>		25120	JD 885 Cultivator.....	109.36		26682	Buffalo 6300 Cultivator	115.02		26683	Orthman, Fits Machines with 1" x 3" Vertical Shanks.....	72.80		26248	Wetherell Cultivator	70.98	
	25120	JD 885 Cultivator.....	109.36															
	26682	Buffalo 6300 Cultivator	115.02															
	26683	Orthman, Fits Machines with 1" x 3" Vertical Shanks.....	72.80															
	26248	Wetherell Cultivator	70.98															

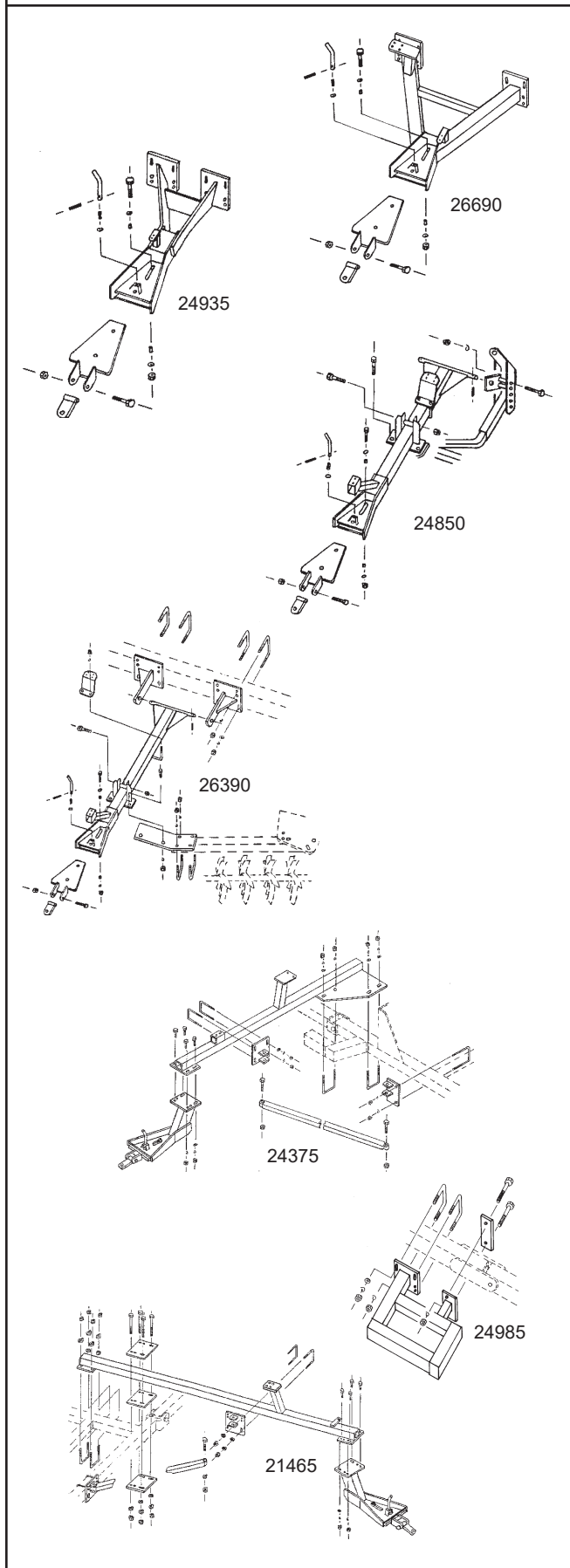
FERTILIZER TUBES FOR CULTIVATORS

	<table style="width: 100%; border-collapse: collapse;"> <tr> <th colspan="2" style="text-align: left; padding-left: 10px;">BUFFALO</th> <td></td> <td></td> </tr> <tr> <td style="width: 10%;"></td> <td style="width: 10%;">26170</td> <td style="width: 70%;">4600 NH3 3/8" OD</td> <td style="width: 10%; text-align: right;">50.22</td> </tr> <tr> <td></td> <td>26290</td> <td>4600 NH3 RH, 3/8" OD</td> <td style="text-align: right;">38.60</td> </tr> <tr> <td></td> <td>26291</td> <td>4600 NH3 LH, 3/8" OD.....</td> <td style="text-align: right;">40.68</td> </tr> <tr> <td></td> <td>26385</td> <td>4600 Liquid, 3/8" OD</td> <td style="text-align: right;">48.78</td> </tr> <tr> <td></td> <td>26386</td> <td>4600 Liquid RH, 3/8" OD.....</td> <td style="text-align: right;">36.92</td> </tr> <tr> <td></td> <td>26387</td> <td>4600 Liquid LH, 3/8" OD</td> <td style="text-align: right;">36.92</td> </tr> </table>	BUFFALO					26170	4600 NH3 3/8" OD	50.22		26290	4600 NH3 RH, 3/8" OD	38.60		26291	4600 NH3 LH, 3/8" OD.....	40.68		26385	4600 Liquid, 3/8" OD	48.78		26386	4600 Liquid RH, 3/8" OD.....	36.92		26387	4600 Liquid LH, 3/8" OD	36.92	
BUFFALO																														
	26170	4600 NH3 3/8" OD	50.22																											
	26290	4600 NH3 RH, 3/8" OD	38.60																											
	26291	4600 NH3 LH, 3/8" OD.....	40.68																											
	26385	4600 Liquid, 3/8" OD	48.78																											
	26386	4600 Liquid RH, 3/8" OD.....	36.92																											
	26387	4600 Liquid LH, 3/8" OD	36.92																											

FERTILIZER TUBES FOR CULTIVATORS, CONTINUED

 <p style="text-align: right; margin-right: 20px;">26340</p>	<p>HAWKINS</p> <p>26340 NH3, 1/2" OD..... \$52.10</p> <p>26343 NH3 RH, 1/2" OD..... \$33.84</p> <p>26344 NH3 LH, 1/2" OD..... \$34.14</p> <p>26310 Liquid, 1/2" OD..... \$51.16</p> <p>26315 Liquid RH, 1/2" OD..... \$32.72</p> <p>26316 Liquid LH, 1/2" OD..... \$32.72</p>	
 <p style="text-align: left; margin-left: 20px;">26355</p> <p style="text-align: right; margin-right: 20px;">26665</p>	<p>HINIKER</p> <p>26355 5000 NH3, 3/8" OD..... \$66.40</p> <p>26356 5000 NH3 RH, 3/8" OD..... \$37.92</p> <p>26357 5000 NH3 LH, 3/8" OD..... \$37.92</p> <p>26225 5000 Liquid, 3/8" OD..... \$76.66</p> <p>26263 5000 Liquid RH, 3/8" OD..... \$41.60</p> <p>26264 5000 Liquid LH, 3/8" OD..... \$43.46</p> <p>26665 6000 Liquid, 3/8" OD..... \$50.16</p> <p>26666 6000 Liquid RH, 3/8" OD..... \$30.40</p> <p>26667 6000 Liquid LH, 3/8" OD..... \$30.40</p>	
 <p style="text-align: right; margin-right: 20px;">26655</p>	<p>KRAUSE</p> <p>26655 4750 NH3, 3/8" OD..... 57.50</p> <p>26656 4750 NH3 RH, 3/8" OD..... 57.50</p> <p>26657 4750 NH3 LH, 3/8" OD..... 57.20</p> <p>25987 4700 NH3, 3/8" OD..... 46.78</p> <p>25990 4700 Liquid, 3/8" OD..... 42.06</p> <p>25985 4700 Combination NH3 & Liquid, 3/8" OD..... 79.40</p>	
 <p style="text-align: right; margin-right: 20px;">26300</p>	<p>JOHN DEERE</p> <p>26300 885 NH3, 1/2" OD..... 62.16</p> <p>26302 885 NH3 RH, 1/2" OD..... 44.34</p> <p>26303 885 NH3 LH, 1/2" OD..... 44.34</p> <p>26270 885 Liquid, 1/2" OD..... 58.46</p> <p>26268 885 Liquid RH, 1/2" OD..... 41.34</p> <p>26267 885 Liquid LH, 1/2" OD..... 41.34</p>	
 <p style="text-align: left; margin-left: 20px;">26181</p> <p style="text-align: center; margin: 0 20px;">26691</p> <p style="text-align: right; margin-right: 20px;">2628</p>	<p>ORTHMAN</p> <p>26181 8300 NH3, 3/8" OD..... 45.50</p> <p>26294 8300 NH3 RH, 3/8" OD..... 33.86</p> <p>26295 8300 NH3 LH, 3/8" OD..... 33.86</p> <p>27225 8300 Liquid, 3/8" OD..... 35.48</p> <p>27226 8300 Liquid RH, 3/8" OD..... 25.28</p> <p>27227 8300 Liquid LH, 3/8" OD..... 25.28</p> <p>26691 9300 3-Piece Shank NH3, 3/8" OD..... 53.76</p> <p>26692 9300 3-Piece Shank NH3 RH, 3/8" OD..... 35.18</p> <p>26693 9300 3-Piece Shank NH3 LH, 3/8" OD..... 35.18</p> <p>26320 9300 3-Piece Shank Liquid, 3/8" OD..... 53.76</p> <p>26325 9300 3-Piece Shank Liquid RH, 3/8" OD..... 23.40</p> <p>26324 9300 3-Piece Shank Liquid LH, 3/8" OD..... 23.40</p> <p>26285 9300 2-Piece Shank Liquid, 3/8" OD..... 55.30</p> <p>26298 9300 2-Piece Shank Liquid RH, 3/8" OD..... 36.24</p> <p>26299 9300 2-Piece Shank Liquid LH, 3/8" OD..... 36.24</p>	
 <p style="text-align: right; margin-right: 20px;">25965</p>	<p>WETHERELL</p> <p>25965 2700 NH3, 3/8" OD..... 56.06</p> <p>26627 2700 NH3 RH, 3/8" OD..... 28.18</p> <p>26628 2700 NH3 LH, 3/8" OD..... 29.74</p> <p>26158 2700 Liquid, 3/8" OD..... 40.66</p> <p>26625 2700 Liquid RH, 3/8" OD..... 19.70</p> <p>26626 2700 Liquid LH, 3/8" OD..... 20.72</p>	

HITCHES



HEAVY DUTY A-FRAME HITCH

26690 Recommended for pulling large nurse tanks and for severe field conditions. Slide-out, right and left easy-connect tongue. All hardware included. Specify frame size..... \$517.18

HEAVY DUTY DROP HITCH

24935 Recommended for use on tillage equipment when lower tongue position is required. Approx. 12" drop, easy-connect, slide-out right and left tongue. All hardware included. Specify frame size. 526.44

UNIVERSAL PICKER HITCH

24850 Hitch pulls the tank from the frame, not from the pickers. May be mounted off-center depending on the position of picker units. Slide-out, right and left easy-connect tongue. Includes meter stand and hardware. 675.42

QUINSTAR LAZER PLOW HITCH

26390 Hitch pulls the tank from the frame, not from the pickers. Slid-out, right and left easy-connect tongue. Includes meter stand and hardware. *For plows with odd number of shanks. 971.24*

FALLOW-MASTER HITCH

24375 Hitch is custom designed to fit the 28 ft. and 42 ft. frames. Mounts between treaders for easy hook-up. Extensions not required. Will fit Fallow-King with adaptor below. 796.58

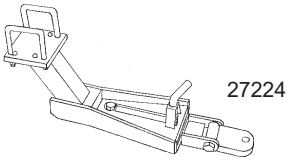
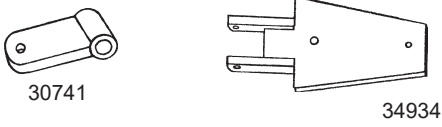
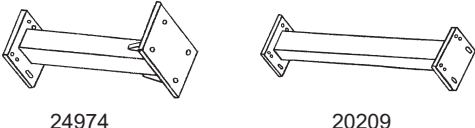
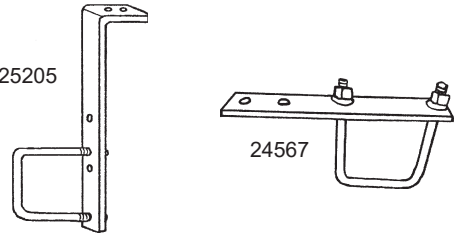
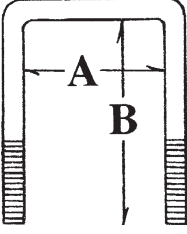
FALLOW-KING HITCH ADAPTOR

24985 Mount for conversion of Fallow-Master hitch (Above) to fit Fallow-King 28 and 42 ft. sweep frames. Hardware included..... 213.06

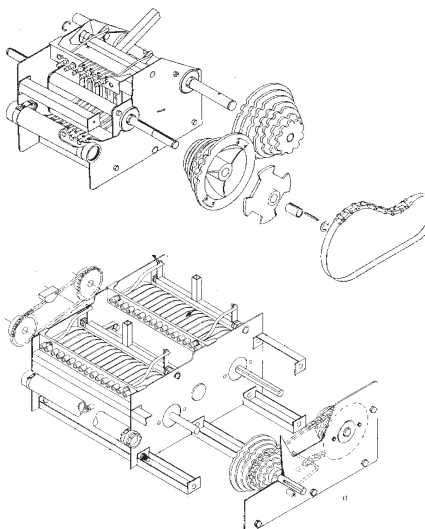
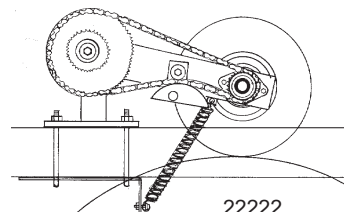
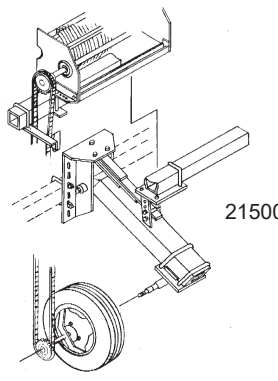
STRAIGHT HITCH

21465 Hitch is designed for machines that fold on center. Mounts over the top and slightly off-center to allow machine to fold and flex without interference with the hitch. All hardware included. 806.72

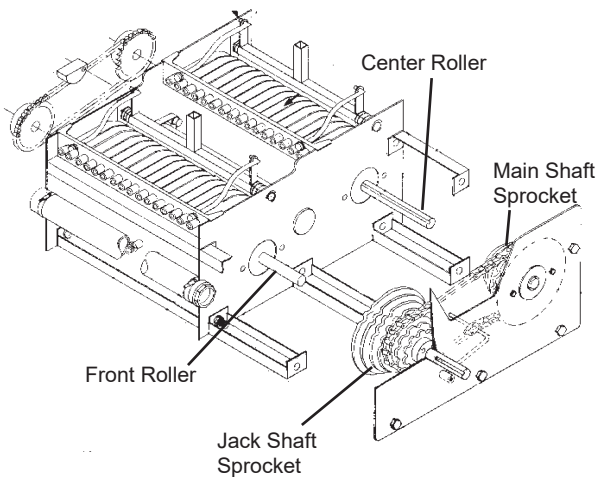
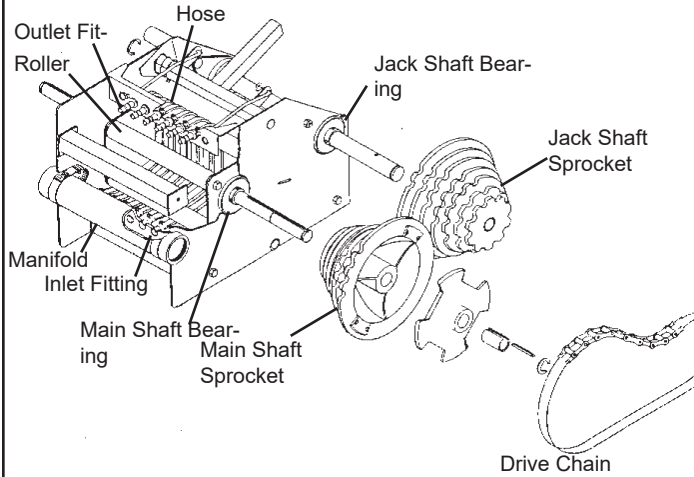
HITCH COMPONENTS

<p style="text-align: center;">DROP SWIVEL TONGUE</p> 	<p>27224 Tongue slides out, right and left for easy connecting to tank. Can be used as a stand alone hitch with various equipment.</p>	<p>\$383.46</p>
	<p>30742 Latch Handle Replacement for Sliding tongue 3.46 10733 Latch Handle Spring 3.54 30741 Flapper Tongue Replacement 59.60 30720 Sliding Tongue Replacement 130.68 23387 Flapper Tongue Bolt Kit, 7/8" x 5-1/2" 5.13 26769 Sliding Tongue Bolt Kit, 1/2" x 3-1/2" 2.76 34934 Swivel Telescoping Tongue 79.84 12432 Latch Pin Replacement for Treader Hitch 9.48</p>	
<p style="text-align: center;">EXTENSIONS</p> 	<p>20208 1 ft. Extension, PR, Hardware Included 135.60 20209 2 ft. Extension, PR, Hardware Included 153.28 24974 1 ft. Extension for 7" Sq. Bar, Hardware Included 180.28 25470 18" Extension for 7" Sq. Bar, Hardware Included 161.96 23390 2 ft. Extension for Richardson Picker, Hardware 206.54 27580 3 ft. Extension for Row Cultivators, w/ Hardware 309.80</p>	
<p style="text-align: center;">HITCH HARDWARE</p> 	<p>27579 57" Extension for IH 184 Cultivators, w/ Hardware.... 1,167.24 25205 Meter Mounting Bracket for 2-1/2" through 7" Sq. Frames. U-bolts Included. 24.98 24871 Meter Mounting Bracket for 5" Sq. Frames, Hardware Included 33.46 24567 Breakaway Coupler Bracket for 4" Sq. Frame. U-bolt included. 15.26 10580 Bearing Plate for 2-1/2" Through 4" Sq. Bars 18.13 11364 Bearing Plate for 5" Sq. Bars 14.11 11767 Bearing Plate for 6" Sq. Bars 12.78 11365 Bearing Plate for 7" Sq. Bars 16.87</p>	
<p>5/8" U-BOLTS WITH HARDWARE All U-bolts include nuts and washers. See illustration for size (A) and actual length (B)</p> 	<p>24505 2-1/2" Bar x 3-1/2" 4.63 20315 2-1/2" Bar x 4" 6.30 24506 2-1/2" Bar x 8" 7.78 27085 3" Bar x 3-1/2" 5.93 20317 3" Bar x 4-1/2" 6.38 27084 3" Bar x 5-1/2" 9.25 22588 3" Bar x 6-1/2" 8.11 27088 3" Bar x 7-1/2" 8.78 24365 4" Bar x 3-1/2" 5.28 20211 4" Bar x 6" 7.60 20321 4" Bar x 8" 9.27 27087 5" Bar x 4" 6.93 27086 6" Bar x 6" 8.60 25200 7" Bar x 8-1/2" 6.58</p>	
<p style="text-align: center;">1/2" U-BOLTS WITH HARDWARE</p>	<p>27079 2-1/4" Bar X 4" 7.11 27078 3-1/8" Bar x 2-1/4" 6.40 27077 4" Bar x 2-1/4" 5.98</p>	
<p style="text-align: center;">3/8" U-BOLTS WITH HARDWARE</p>	<p>27083 1-1/4" Bar x 2" 5.57 27082 2-1/2" Bar x 3-1/2" 4.80 27081 3" Bar x 4" 4.93 27080 5" Bar x 5" 5.60</p>	

PUMPS

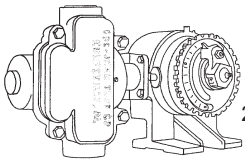
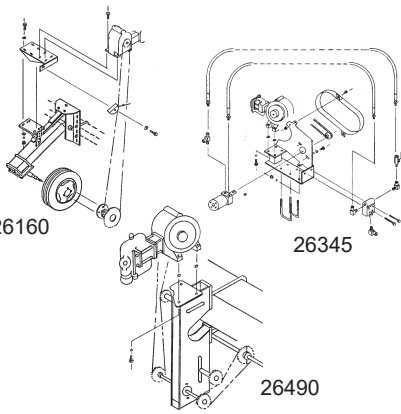
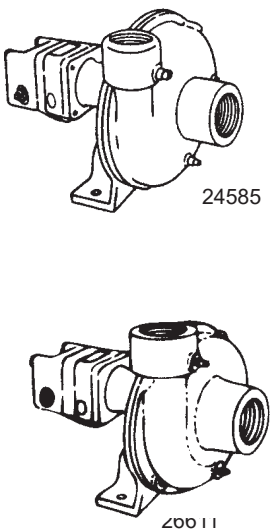
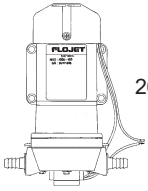
SQUEEZE PUMPS		List Price					
	20611 20605 20602 20601 22557 22559 20612 20606 20603 25124	8B Pump, SS Fittings, 3/8" Hoses 12B Pump, SS Fittings, 3/8" Hoses 16B Pump, SS Fittings, 3/8" Hoses 24B Pump, SS Fittings, 3/8" Hoses 32B Pump, SS Fittings, 3/8" Hoses 48B Pump, SS Fittings, 3/8" Hoses 8L Pump, 5/8" Hoses 12L Pump, 5/8" Hoses 16L Pump, 5/8" Hoses 24L Pump, 5/8" Hoses	\$1,156.11 1,395.08 1,475.18 1,708.60 2,709.90 3,188.26 1,158.23 1,395.09 1,539.17 2,487.47				
	SQUEEZE PUMP DRIVES						
		Wheel On Wheel Drives	22222 Universal..... 24780 Kent Plains Plow..... 24700 Fallow Master (21', 28', 42') 24775 Fallow Master (35', 49') 25251 Fallow King 26455 Quinstar Lazer Plow 22590 Hydraulically Engaged.....	629.68 648.70 648.70 648.70 648.70 648.70 1,145.86			
		Ground Drive	21500	Universal Ground Drive	1,053.38		
			Planter Drives	23235 22605 22630 24270 26710 23150 22790 22705 26750 26783	JD 7000, 4-Row, 6-Row, Narrow JD 7000, 6-Row Wide, 8-Row, & 12-Row Narrow, Except Front Fold JD 7100, Rigid or Vertical Fold JD 7200 & 7300 8-Row & 12-Row Narrow, Except Front Fold..... JD 7200 16-Row Front Fold IH 400 Cyclo IHC 800, 900, & 950 Cyclo Buffalo Center Drive Planter Kinze 2100 6 & 8-Row, 12-Row N Kinze 2100 6 & 8-Row, 12-Row W	455.20 240.17 342.22 356.66 323.78 252.06 232.56 204.31 307.34 276.50	
				Pump Mount	23010 24680	Universal Pump Mount Assembly Fallow Master Pump Stand, 28' only ...	223.02 137.84

PUMPS, CONTINUED

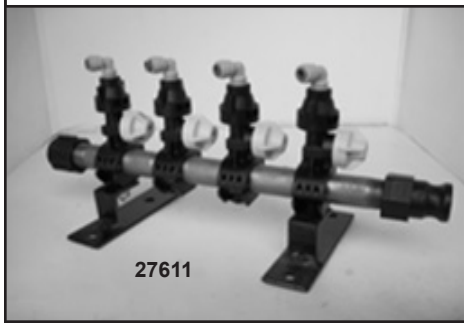


Fittings & Hoses		
10889	Inlet Fitting for "B" Pump	\$ 1.56
14707	Inlet Fitting for "B" Pump, SS	6.83
10891	Outlet Fitting for "B" Pump	1.71
14613	Outlet Fitting for "B" Pump, SS.....	8.17
10890	Inlet Fitting for "L" Pump.....	1.81
15041	Inlet Fitting for "L" Pump, SS.....	8.20
10892	Outlet Fitting for "L" Pump.....	1.71
15042	Outlet Fitting for "L" Pump, SS.....	8.20
10893	Manifold Plug "B" Pump	1.52
10894	Manifold Plug "L" Pump.....	1.32
10623	Squeeze Hose "B" Pump	5.83
10624	Squeeze Hose "L" Pump.....	5.36
10896	Tube Clamp, "B" Pump	1.75
10899	Tube Clamp, "L" Pump.....	1.36
24617	Snap Connector, 3/8" Hose.....	6.57
14845	O-Ring for Snap Connector.....	1.05
Bearings, Sprockets, & Rollers		
10918	Main Shaft Bearing (3/4)	12.37
10976	Jack Shaft Bearing (7/8).....	12.16
20960	Main Shaft Sprocket w/bushings.....	57.91
25068	Main Shaft Sprocket, dbl pumps	87.32
20961	Jack Shaft Sprocket	56.65
22996	Jack Shaft Sprocket, dbl pumps.....	92.18
20962	Drive Chain, Single pump	11.23
22999	Drive Chain, Dbl Pump.....	14.06
25575	Roller Journal w/Nut & Clip	13.64
20906	Roller w/Bushings & Seals 48B, 24B	47.45
20907	Roller w/Bushings & Seals 32B, 16B	18.69
20908	Roller w/Bushings & Seals 32L, 16L.....	69.56
25934	Roller w/Bushings & Seals 12L.....	22.29
20909	Roller w/Bushings & Seals 8B.....	16.53
20910	Roller w/Bushings & Seals 8L, 12B.....	21.61
20973	Roller & Main Shaft Assy. 24B	245.67
20972	Roller & Main Shaft Assy. 16B	187.26
20975	Roller & Main Shaft Assy. 16L.....	219.11
26935	Roller & Main Shaft Assy. 12L.....	169.45
20971	Roller & Main Shaft Assy. 8B	158.74
20974	Roller & Main Shaft Assy. 8L.....	166.22
25567	Roller & Main Shaft Assy. Front 32B	170.76
25568	Roller & Main Shaft Assy. Center 32B.....	170.71
25569	Roller & Main Shaft Assy. Front 32L.....	224.93
25570	Roller & Main Shaft Assy. Center 32L	224.93
25571	Roller & Main Shaft Assy. Front 48B	129.45
25572	Roller & Main Shaft Assy. Center 48B.....	129.45
Manifolds		
10877	48B, 24B	80.12
10878	16B.....	30.71
10879	32L, 16L	42.44
10882	8B.....	28.29
10883	8L	32.36
12985	Center 32L	34.79
12986	Center 48B	57.42
12987	Center 32B	38.37
14166	Front 32B	43.75

PUMPS, CONTINUED

 <p>28352</p>	JOHN BLUE PISTON PUMPS			
	28352 Single Piston Pump NGP 6055, 24 GPM @ 450 RPM..... 25749 Repair Kit for above L-4405 Single John Blue Pump 28195 Repair Kit for LM-2455 CDS Piston Pump	1,989.92 73.13 64.76		
	PISTON PUMP			
 <p>26160 26345 26490</p>	26902 Universal Wheel-on-Wheel Drive 26197 Hydraulically Engaged Wheel-on-Wheel Drive..... 26899 90" Dual Star Wheel-on-Wheel Drive 26900 Fallow Master 21', 28' & 42' Wheel-on-Wheel Drive 26903 Fallow Master 35' & 49' Wheel-on-Wheel Drive 26901 Fallow King Wheel-on-Wheel Drive..... 27097 Pump Mounting Bracket for 4" Square Bar (L-4405 Only)..... 26160 Universal Ground Wheel Drive (L-4405 Only) 26345 Universal Hydraulic Drive (L-4405 Only) 26490 Planter Mounting Bracket, fits JD 7000, 7100, 7200, 7300, & 1700. Also fits Case IH 800, 900, & 950 Cyclo Planters (L-4405 Pump Only) 26904 Kent Plains Plow.....	685.20 1,207.14 682.00 682.00 682.00 685.20 67.60 1079.40 1258.12 731.52 649.32		
	ACE HYDRAULICALLY DRIVEN CENTRIFUGAL PUMPS			
	 <p>24585 20011</p>	28466 FMC-75-HYD Poly Pump with 204 Motor, 25 GPM..... 28467 FMC-75-HYD Poly Pump with 206 Motor, 27 GPM..... 24585 FMC-HYD Pump with 204 Motor, 85 GPM Max Flow..... 26611 FMC-HYD Pump with 206 Motor, 100 GPM Max Flow..... 24586 FMC-HYD Pump with 210 Motor, 100 GPM Max Flow..... 24587 FMC-HYD Pump with 310 Motor, 75 GPM Max Flow.....	704.97 704.97 851.22 851.22 851.22 866.22	
		PUMP PARTS		
		24769 204 Hydraulic Motor 24770 210 Hydraulic Motor 24771 310 Hydraulic Motor 26615 206 Hydraulic Motor 25477 FMC-HYD Pump Only, 204 & 210 26910 FMC-HYD 206 Pump Only 25478 FMC-HYD Pump Only, 310..... 28468 Repair Kit for FMC-75-HYD Poly Pump 24765 Repair Kit for FMC Pump 26906 Repair Kit for FMC-150 Pump 24767 Repair Kit for 204, 210, & 206 Motor 24766 Repair Kit for 310 Motor	453.73 468.73 716.22 453.73 674.98 686.22 689.97 43.87 42.37 42.37 64.87 64.87	
		ELECTRIC PUMPS		
		 <p>26154</p>	26154 Flojet 4300 Series 12 Volt DC Pump, 4.9 GPM..... 25091 Shur-flo 8000 Series 12 Volt DC PUmp, 1.4 GPM 26418 Electric Pump Control, 30 Amp.....	193.85 130.79 283.33
			18437 Motor Cable, 15 Ft..... 18438 Battery Cable, 10 Ft..... 26575 Pump Mounting Bracket for 4" Square Bar..... 26150 Pump Mounting Bracket for 7" Square Bar.....	17.50 31.67 31.42 35.49

LIQUID MANIFOLD SYSTEMS

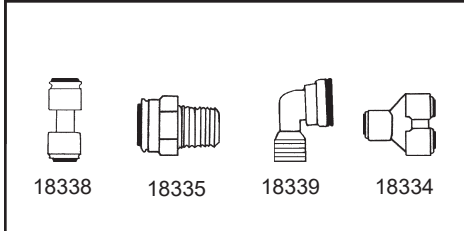


STAINLESS STEEL LIQUID MANIFOLDS

27611	4-Row Manifold with 2 PSI Check Valves.....	\$179.52
27612	6-Row Manifold with 2 PSI Check Valves.....	216.64

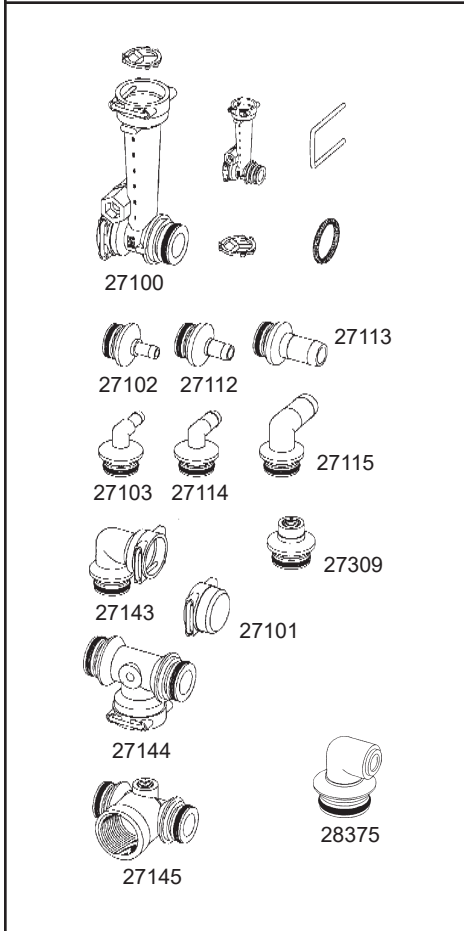


27613	8-Row Manifold with 2 PSI Check Valves.....	268.02
27614	12-Row Manifold with 2 PSI Check Valves.....	288.02



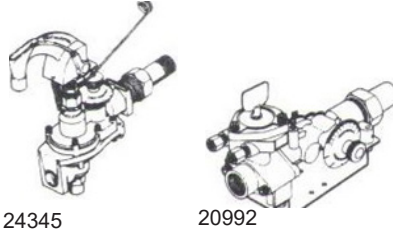
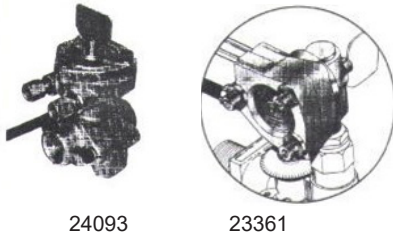
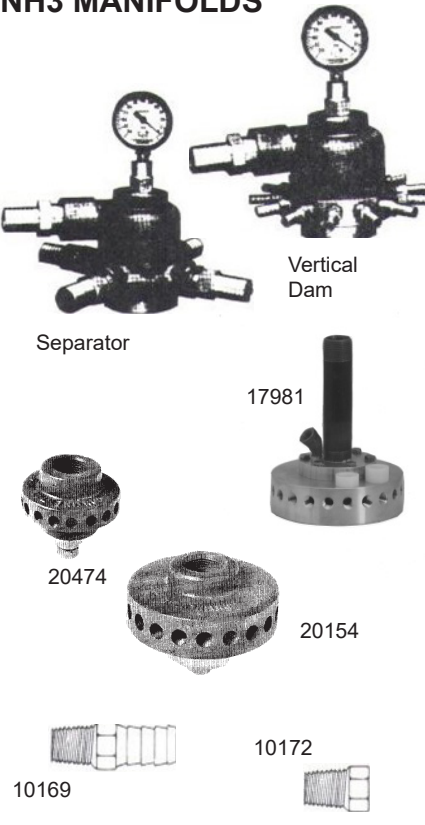
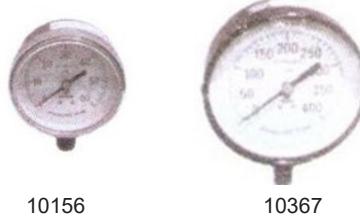
SNAP CONNECTORS

18338	SpeedFit Connector, Straight 1/4" X 1/4".....	2.43
18335	SpeedFit Connector, Male 1/4" MPT x 1/4".....	1.82
18339	SpeedFit Connector, 90 Deg 1/4" MPT x 1/4".....	2.78
18334	2-Way SpeedFit Divider 1/4" x 1/4".....	3.77





FLOW INDICATORS

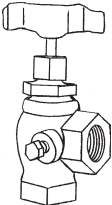
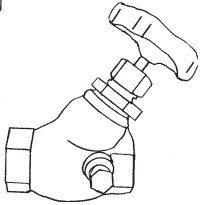
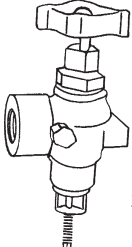
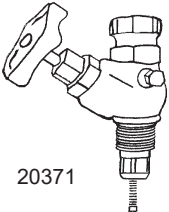
27100	Flow Indicator Assembly.....	\$14.94
27102	Straight 3/8" Hose Shank.....	1.96
27112	Straight 1/2" Hose Shank.....	1.96
27113	Straight 3/4" Hose Shank.....	1.96
27103	90 Degree 3/8" Hose Shank.....	1.96
27114	90 Degree 1/2" Hose Shank.....	1.96
27115	90 Degree 3/4" Hose Shank.....	1.96
27309	1/4" FPT Outlet Adaptor.....	1.96
27143	Street Elbow with U-Clip.....	4.15
27101	End Cap with U-Clip.....	2.35
27144	Tee Connector with U-Clip.....	5.23
27145	Tee Connector with 1" Female Pipe Threads.....	5.23
28375	90 Degree 1/4" Push-In Fitting.....	3.50
27156	Flow Indicator Stand for 7" Square Frame.....	62.41
27155	Flow Indicator Stand for 3" or 4" Square Frame.....	67.61
27318	Additional Cross Bar (For Two Levels of Indicators).....	41.18

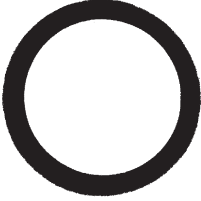
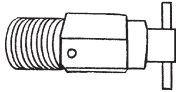
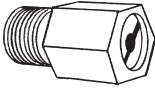
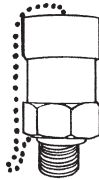
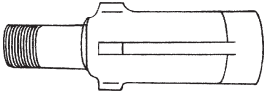
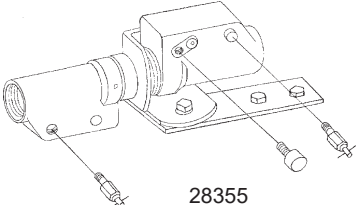
NH3 EQUIPMENT		LIST PRICE	
CONTINENTAL METER MATICS			
	24346	C2500, 2500 lbs of N Per Hour, 14 - 1/8" Outlets	\$751.05
	24347	C2503, 2500 lbs of N Per Hour, 1 - 1" Outlet.....	748.21
	24344	C4100, 4100 lbs of N Per Hour, 14 - 1/8" Outlets	786.37
	24345	C4103, 4100 lbs of N Per Hour, 1 - 1" Outlet.....	781.32
	20992	B9500, 6500 lbs of N Per Hour, 1 - 1" Outlet.....	1124.11
HYDRAULIC SHUTOFFS			
	24093	R9590 Hydraulic Shutoff, 1" FPT	255.60
	24704	R9590 Hydraulic Shutoff, 1-1/4" FPT.....	255.60
	23361	R6572 Hydraulic Rotary Actuator	212.98
NH3 MANIFOLDS			
	25614	Vertical Dam Manifold Low Rate Manifold Body	152.68
	25610	Medium/High Rate Manifold Body.....	160.31
	16037-(?)	Low Rate Manifold Ring (3 to 16 Outlets)	106.82
	16579-(?)	Medium Rate Manifold Ring (4 to 16 Outlets).....	106.82
	15609-(?)	High Rate Manifold Ring (3 to 13 Outlets)	106.82
	25957	Manifold Mounting Bracket.....	22.44
	25273	Vertical Dam Separators 3 Outlet Separator, 3600 lbs of N Per Hour	331.40
	25274	4 Outlet Separator, 4800 lbs of N Per Hour	331.40
	25740	5 Outlet Separator, 6000 lbs of N Per Hour	331.40
	17981	Equa-Flow Manifolds Equa-Flow Manifold 21 outlets	336.67
	17982	Equa-Flow Manifold 16 outlets.....	288.84
	17983	Equa-Flow Divider 2 outlet	235.77
	17984	Equa-Flow Divider 3 outlet.....	268.19
	17985	Equa-Flow Divider 4 outlet	402.88
	20474	Cast Iron Manifolds 18 - 1/8" Holes, 1 - 1" Inlet	72.14
20154	24 - 1/8" Holes, 1 - 1" Inlet	140.41	
10169	Steel Hose Barbs & Pipe Plugs 1/8" MPT x 3/8" HB.....	1.42	
13357	1/8" MPT x 1/2" HB.....	1.78	
10171	1/8" MPT x 3/8" HB with 3/32" Orifice.....	1.79	
10170	1/4" MPT x 3/8" HB.....	1.55	
14725	1/4" MPT x 1/2" HB.....	1.77	
10814	1/4" MPT x 3/8" HB with 3/32" Orifice.....	1.97	
15309	1" MPT x 1" HB.....	2.88	
10172	1/8" Manifold Plug89	
10173	1/4" Manifold Plug85	
PRESSURE GAUGES			
	10156	NH3 Pressure Gauges 2-1/2" Dia. 60# Gauge, SS Tube, 1/4" MPT.....	11.00
	12592	4" Dia. 60# Gauge, SS Tube, 1/4" MPT	21.62
	15703	4" Dia. 160# Gauge, SS Tube, 1/4" MPT.....	21.62
	10367	2-1/2" Dia. 400# Gauge, SS Tube, 1/4" MPT.....	16.20
	24692	Pressure Gauge Mounting Brackets Vertical Dam Manifold Gauge Mounting Bracket.....	12.86
	21485	Cast Iron Manifold Gauge Mounting Bracket.....	16.28

COLD-FLO CONVERTERS

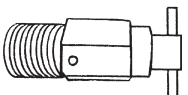
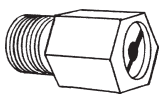
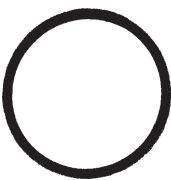
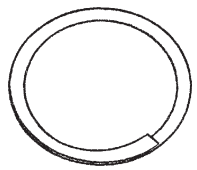
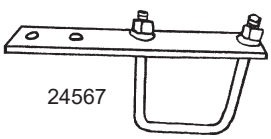
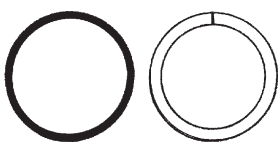
 <p>20387</p>  <p>20353</p>	20387 Cold-flo Model K-2, capacity 5,000 lbs N per hr \$763.30 20353 Cold-flo K-3S System, w/ K-3S Converter, vapor line & Liquid line..... 416.32 31039 Flow Splitter for Cold-flo, 1/2" barbs 19.72 25206 Flow Splitter for NH3, 3/8" orifice barbs..... 11.71 35109 Flow Splitter for NH3, 3/8" barbs 11.75 21085 Bracket, short with hdwe, for attaching Cold-flo Model K-2M to 2-1/2", 3", or 4" square frame bars..... 16.40
--	---

NH3 VALVES, COUPLERS, GUAGES, & RELATED PARTS

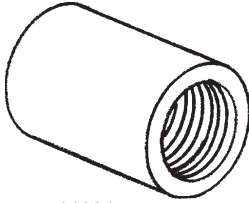
 <p>20372</p>  <p>20373</p>  <p>20380</p>  <p>20371</p>	20366 Globe Style Hose End Valve w/Standard Coupling & Bleeder Valve, 1" FPT (A-214) \$228.87 28188 Globe Style Hose End Valve w/Standard Coupling & Bleeder Valve, 1-1/4" FPT (A-215) 306.53 20365 Angle Style Hose End Valve w/Safety Coupling & Bleeder Valve, 1" FPT (A-212-L) 228.85 20372 Angle Valve, 1" FPT (A-1250) 112.26 27994 Angle Valve, 1-1/4" FPT (A-2425)..... 155.14 20373 Globe Valve, 1" FPT (A-1350)..... 111.17 26516 Globe Valve, 1-1/4" FPT (A-2525-C)..... 222.78 20380 High Flow Liquid Withdrawal Valve. 1/4" FPT Port, 1-1/4" MPT (Nurse Tank) 1" Outlet, Two-stage Flow Check (A-1206E) 136.70 20371 Manual Filler Vapor & Nurse Tank Valve is Designed for Use as a Filler, Vapor, or Liquid Withdrawal Valve. A 1/4" Plug is Installed. (A-1201) 144.64 20370 Combination Filler & Liquid Withdrawal Valve Provides a Positive Manual Shut-off Stem and Seat, 1" FPT (A-1205)..... 216.90 Repair Kits for Continental Valves 20283 Repair Kit, for 1" Valves (A-2212RK) : A-211, A-212, A-213, A-214, A-1201, A-1202, A-1204, A-1250, A-1275, A-1285, A-1350, A-1375, A-1385, A-2201, A-2202, A-2204, A-2250, A-2275, A-2285, A-2350, A-2375, A-2385..... 18.87 28204 Repair Kit, for 1-1/4" High Flow Globe and Tank Valves (A-25H-RK): A-2525, A-215, A-215-L 20.07
---	--

 <p>10375</p>	<p>23380 Squibb-Taylor "Hi-Flo" Tank Valve (Required in 3 Opening Tanks) \$476.56</p> <p>23379 Valve Repair Kit 19.07</p> <hr/> <p>25195 Squibb-Taylor Hose End Valve is Intended for NH3 or LP-Gas Service. 1/4" FNPT Side Outlet (Plugged) (AL-343).. 389.20</p> <p>25384 Valve Repair Kit 58.05</p> <hr/> <p>25011 Emergency Shutoff Swing Valve is to be Installed on Stationary Storage Installations. The Valve's Unique Cable Allows the Valve to be Shut Down in Case of Emergency from any Direction for a Quick and Safe Shutdown. (A-JJ2-L) 609.36</p> <hr/> <p>10375 Gasket for 1-3/4" Male ACME Connector. (22-71F)..... .33</p> <p>20283 Continental Repair Kit for Tank Valves. Contains Seals, Packing, and All Needed Repair Parts. (A-2212-RK)..... 18.87</p>	
 <p>10222</p>  <p>20376</p>  <p>20377</p>	<p>BLEEDERS AND POP OFFS</p> <p>10222 Bleeder Valve, Made of Stainless Steel with Anti-flash Seal Ring, 1/4" MPT (A-411)..... 13.39</p> <p>20376 Hydrostatic Relief Valves are Designed to Relieve Liquid Pressure in Valves, Piping, or Hoses. 1/4" MPT, Set for 375 PSI (A-400) 25.38</p> <p>20377 Safety Relief Valve, 3/4" MPT Inlet 44.92</p> <p>25463 Safety Relief Valve, 1-1/4" MPT Inlet 181.56</p> <p>10284 3/4" Dust Cap for Safety Relief Valve 3.96</p> <p>15464 1-1/4" Dust Cap for Safety Relief Valve 6.80</p>	
 <p>20369</p>	<p>20369 Long Safety Coupling (A-577B) 1" MPT x 1-3/4" x 6" Long Female... 61.10</p> <p>20368 Standard Safety Coupling (A-521B) 1" MPT x 1-3/4" Female 26.38</p> <p>21964 Hose Coupling (A-1101) 1/2" FPT x 1-3/4" ACME Female..... 32.29</p> <p>21965 Hose Coupling (A-522) 3/4" FPT x 1-3/4" ACME Female..... 39.55</p> <p>26168 Hose Coupling (B-522B) 1" FPT x 1-3/4" ACME Female 41.22</p> <p>22965 ACME Coupling (B-526A) 1" Hose Coupling x 1-3/4" Acme Female . 39.68</p>	
 <p>28355</p>	<p>BREAKAWAY COUPLER AND REPAIR PARTS</p> <p>28354 Flo-Max 1-1/4" Breakaway Coupler Only..... 619.34</p> <p>13798 Breakaway Coupler Bracket 72.42</p> <p>20376 Hydrostatic Relief Valve 25.38</p> <p>10222 Bleeder Valve (Two Required) (\$13.39 Each)..... 26.78</p> <p>10336 Acme Adaptor 1-1/4" MPT x 1-3/4" Acme 24.21</p> <p>10405 Pipe Bushing 1-1/4" MP x 1" FP 2.39</p> <hr/> <p>28355 Flo-Max 1-1/4" Breakaway Coupler (Complete Assembly)..... 812.45</p> <p>28356 O-Ring Repair Kit..... 12.92</p> <p>28357 O-Ring and Plunger Repair Kit 41.27</p>	

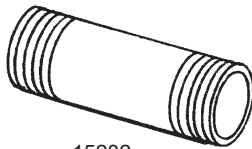
BREAKAWAY COUPLER REPAIR KITS & PARTS

 <p>10222</p>  <p>20376</p>	<p style="text-align: center;">RELATED PARTS FOR BREAKAWAY COUPLERS</p> <table style="width: 100%; border-collapse: collapse;"> <tr> <td style="width: 10%;">10379</td> <td style="width: 70%;">ACME Adaptor 1" MPT x 1-3/4" ACME</td> <td style="width: 20%; text-align: right;">19.21</td> </tr> <tr> <td>10336</td> <td>ACME Adaptor 1-1/4" MPT x 1-3/4" ACME</td> <td style="text-align: right;">24.21</td> </tr> <tr> <td>10222</td> <td>Bleeder Valve, 1/4" MPT</td> <td style="text-align: right;">13.39</td> </tr> <tr> <td>20376</td> <td>Hydrostatic Relief Valve</td> <td style="text-align: right;">25.38</td> </tr> <tr> <td>10173</td> <td>Hex Plug, 1/4" NPT</td> <td style="text-align: right;">.85</td> </tr> </table>	10379	ACME Adaptor 1" MPT x 1-3/4" ACME	19.21	10336	ACME Adaptor 1-1/4" MPT x 1-3/4" ACME	24.21	10222	Bleeder Valve, 1/4" MPT	13.39	20376	Hydrostatic Relief Valve	25.38	10173	Hex Plug, 1/4" NPT85																								
10379	ACME Adaptor 1" MPT x 1-3/4" ACME	19.21																																						
10336	ACME Adaptor 1-1/4" MPT x 1-3/4" ACME	24.21																																						
10222	Bleeder Valve, 1/4" MPT	13.39																																						
20376	Hydrostatic Relief Valve	25.38																																						
10173	Hex Plug, 1/4" NPT85																																						
 <p>17526</p>	<p style="text-align: center;">REPAIR PARTS FOR SQUIBB RB 1" BREAKAWAY COUPLERS</p> <table style="width: 100%; border-collapse: collapse;"> <tr> <td style="width: 10%;">17519</td> <td style="width: 70%;">Male O-ring (P5-134-RO).....</td> <td style="width: 20%; text-align: right;">1.28</td> </tr> <tr> <td>17521</td> <td>Female O-ring (P5-169-RO)</td> <td style="text-align: right;">1.30</td> </tr> <tr> <td>17523</td> <td>Latch Ring (RBI-2001)</td> <td style="text-align: right;">6.08</td> </tr> <tr> <td>17525</td> <td>Centering Ring (P5-165-RO)</td> <td style="text-align: right;">2.00</td> </tr> </table> <p style="text-align: center;">REPAIR PARTS FOR SQUIBB RB 1-1/4" BREAKAWAY COUPLERS</p> <table style="width: 100%; border-collapse: collapse;"> <tr> <td style="width: 10%;">17526</td> <td style="width: 70%;">Male O-ring (P5-162-RO).....</td> <td style="width: 20%; text-align: right;">2.38</td> </tr> <tr> <td>17527</td> <td>Female O-ring (P5-163-RO)</td> <td style="text-align: right;">2.42</td> </tr> <tr> <td>17528</td> <td>Latch Ring (RB125-2001)</td> <td style="text-align: right;">5.72</td> </tr> <tr> <td>17529</td> <td>Centering Ring (P5-124-RO)</td> <td style="text-align: right;">2.55</td> </tr> </table>	17519	Male O-ring (P5-134-RO).....	1.28	17521	Female O-ring (P5-169-RO)	1.30	17523	Latch Ring (RBI-2001)	6.08	17525	Centering Ring (P5-165-RO)	2.00	17526	Male O-ring (P5-162-RO).....	2.38	17527	Female O-ring (P5-163-RO)	2.42	17528	Latch Ring (RB125-2001)	5.72	17529	Centering Ring (P5-124-RO)	2.55															
17519	Male O-ring (P5-134-RO).....	1.28																																						
17521	Female O-ring (P5-169-RO)	1.30																																						
17523	Latch Ring (RBI-2001)	6.08																																						
17525	Centering Ring (P5-165-RO)	2.00																																						
17526	Male O-ring (P5-162-RO).....	2.38																																						
17527	Female O-ring (P5-163-RO)	2.42																																						
17528	Latch Ring (RB125-2001)	5.72																																						
17529	Centering Ring (P5-124-RO)	2.55																																						
 <p>10478</p>  <p>24567</p>  <p>20221</p>	<p style="text-align: center;">MORE PARTS FOR BREAKAWAY COUPLERS</p> <table style="width: 100%; border-collapse: collapse;"> <tr> <td style="width: 10%;">10374</td> <td style="width: 70%;">Dust Cap for 1-3/4" ACME Adaptors (22-63FC).....</td> <td style="width: 20%; text-align: right;">4.11</td> </tr> <tr> <td>10375</td> <td>Gasket for 1-3/4" Male ACME Connector</td> <td style="text-align: right;">.33</td> </tr> <tr> <td>17013</td> <td>Gasket for 1" Male Tip (12242)</td> <td style="text-align: right;">1.98</td> </tr> <tr> <td>10478</td> <td>Snap Ring for Breakaway Coupler Bracket</td> <td style="text-align: right;">8.50</td> </tr> <tr> <td>24567</td> <td>Mounting Bracket for Breakaway Couplers, U-Bolt and Hardware Included.....</td> <td style="text-align: right;">15.26</td> </tr> </table> <p style="text-align: center;">PARTS FOR PIONEER BREAKAWAY COUPLERS</p> <table style="width: 100%; border-collapse: collapse;"> <tr> <td style="width: 10%;">20221</td> <td style="width: 70%;">1" Repair Kit (One O-ring and Teflon Packing)</td> <td style="width: 20%; text-align: right;">7.50</td> </tr> <tr> <td>21584</td> <td>1-1/4" Repair Kit (Two O-rings).....</td> <td style="text-align: right;">5.76</td> </tr> <tr> <td>10407</td> <td>Coupler O-ring (Two Required for 1-1/4")</td> <td style="text-align: right;">2.86</td> </tr> <tr> <td>10408</td> <td>Coupler Teflon Packing (1" Only)</td> <td style="text-align: right;">4.64</td> </tr> <tr> <td>12242</td> <td>1" Male Tip x 1-3/4" ACME (4510-6M)</td> <td style="text-align: right;">10.18</td> </tr> <tr> <td>10378</td> <td>ACME Adaptor, 3/4" MPT x 1-3/4" ACME</td> <td style="text-align: right;">25.04</td> </tr> <tr> <td>12241</td> <td>ACME Adaptor, 1" FPT x 1-3/4" ACME</td> <td style="text-align: right;">31.65</td> </tr> <tr> <td>12964</td> <td>ACME Adaptor, 3/4" FPT x 1-3/4" ACME</td> <td style="text-align: right;">30.58</td> </tr> </table>	10374	Dust Cap for 1-3/4" ACME Adaptors (22-63FC).....	4.11	10375	Gasket for 1-3/4" Male ACME Connector33	17013	Gasket for 1" Male Tip (12242)	1.98	10478	Snap Ring for Breakaway Coupler Bracket	8.50	24567	Mounting Bracket for Breakaway Couplers, U-Bolt and Hardware Included.....	15.26	20221	1" Repair Kit (One O-ring and Teflon Packing)	7.50	21584	1-1/4" Repair Kit (Two O-rings).....	5.76	10407	Coupler O-ring (Two Required for 1-1/4")	2.86	10408	Coupler Teflon Packing (1" Only)	4.64	12242	1" Male Tip x 1-3/4" ACME (4510-6M)	10.18	10378	ACME Adaptor, 3/4" MPT x 1-3/4" ACME	25.04	12241	ACME Adaptor, 1" FPT x 1-3/4" ACME	31.65	12964	ACME Adaptor, 3/4" FPT x 1-3/4" ACME	30.58
10374	Dust Cap for 1-3/4" ACME Adaptors (22-63FC).....	4.11																																						
10375	Gasket for 1-3/4" Male ACME Connector33																																						
17013	Gasket for 1" Male Tip (12242)	1.98																																						
10478	Snap Ring for Breakaway Coupler Bracket	8.50																																						
24567	Mounting Bracket for Breakaway Couplers, U-Bolt and Hardware Included.....	15.26																																						
20221	1" Repair Kit (One O-ring and Teflon Packing)	7.50																																						
21584	1-1/4" Repair Kit (Two O-rings).....	5.76																																						
10407	Coupler O-ring (Two Required for 1-1/4")	2.86																																						
10408	Coupler Teflon Packing (1" Only)	4.64																																						
12242	1" Male Tip x 1-3/4" ACME (4510-6M)	10.18																																						
10378	ACME Adaptor, 3/4" MPT x 1-3/4" ACME	25.04																																						
12241	ACME Adaptor, 1" FPT x 1-3/4" ACME	31.65																																						
12964	ACME Adaptor, 3/4" FPT x 1-3/4" ACME	30.58																																						

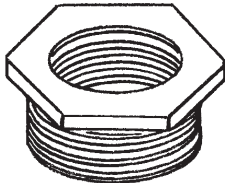
PIPE FITTINGS, SCHEDULE 40



14601



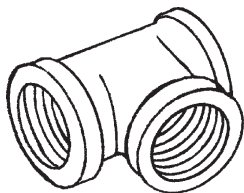
15282



10405

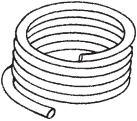

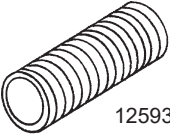

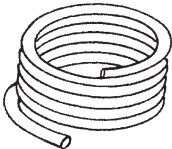
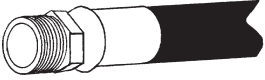
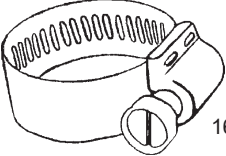
10188	1/4" x 1/8" Bell Reducer.....	2.95
15284	1/4" x 3/8" Bell Reducer.....	3.07
10399	3/4" x 1" Bell Reducer.....	4.45
12657	1/4" x 1" Reducer Bushing.....	3.43
11480	1/8" x 1/4" Reducing 90 Degree Elbow	4.57
10191	3/4" x 1" Reducing 90 Degree Elbow	4.13
10190	1/8" 90 Degree Street Elbow	3.40
11484	1/4" 90 Degree Street Elbow	3.40
10987	1/2" 90 Degree Street Elbow	3.50
15208	3/4" 90 Degree Street Elbow	3.40
16012	3/4" x 1" 90 Degree Street Elbow	5.75
10193	1" 90 Degree Street Elbow	4.95
14479	1/4" 90 Degree Pipe Elbow	3.68
11001	3/8" 90 Degree Pipe Elbow	2.48
16013	1/2" 90 Degree Pipe Elbow	1.72
15286	1" 90 Degree Pipe Elbow	3.53
10189	1/8" Pipe Tee	3.57
12061	3/8" Pipe Tee	3.40
10989	1/2" Pipe Tee	2.30
15285	3/4" Pipe Tee	3.04
10413	1" Pipe Tee	3.61
11421	1/8" Pipe Coupling.....	1.10
14512	1/4" Pipe Coupling.....	1.30
14601	1/2" Pipe Coupling.....	1.70
12834	3/4" Pipe Coupling.....	2.13
10194	1" Pipe Coupling.....	3.24
11420	1/8" Close Nipple.....	.95
10988	1/2" Close Nipple.....	.98
10195	3/4" Close Nipple.....	.98
10404	1" Close Nipple.....	1.62
12148	3/4" x 3" Nipple.....	1.77
15283	3/4" x 6" Nipple.....	1.94
10809	1" x 3" Nipple.....	2.27
15282	1" x 4" Nipple.....	3.08
14372	1" x 6" Nipple.....	3.50
11756	1" Pipe Plug.....	1.45
14814	1/8" x 1/4" Reducer Bushing.....	.70
10808	3/4" x 1" Reducer Bushing.....	2.82
14600	3/8" x 1/2" Reducer Bushing.....	1.47
14599	1/8" x 1/2" Reducer Bushing.....	1.05
10405	1" x 1-1/4" Reducer Bushing	2.39
12530	1/4" x 1/2" Reducer Bushing.....	1.02
12967	1/4" x 3/8" Reducer Bushing.....	.98

HIGH PRESSURE FITTINGS SCHEDULE 80



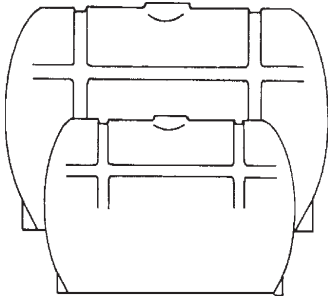
10402

10400	1" x 3/4" Bell Reducer.....	11.58
10402	1" Pipe Tee	18.23
10403	1" Pipe Coupling.....	7.79
14597	1" Close Nipple.....	5.08
18413	1" x 4" Nipple.....	8.03
14598	1" x 6" Nipple.....	5.40
11726	1" 90 Degree Pipe Elbow	11.13
11542	1/2" Close Nipple.....	2.02
10401	1" 90 Degree Street Elbow.....	19.10
15698	1-1/4" Pipe Coupling.....	12.98
15243	1" NH3 Y-Strainer	87.06
15244	1-1/4" NH3 Y-Strainer	93.66

HOSE			Price Per Foot
EVA HOSE  13803	15344 1/4" ID W.P. @ 70-100 Deg F. 135-60 PSI 10161 3/8" ID W.P. @ 70-100 Deg F. 135-60 PSI 10162 1/2" ID W.P. @ 70-100 Deg F. 120-50 PSI 13803 3/4" ID W.P. @ 70-100 Deg F. 60-30 PSI 10337 1" ID W.P. @ 70-100 Deg F. 80-40 PSI	\$.28 .33 .40 .67 .92	
REINFORCED EVA HOSE  14254	14254 3/8" ID Working Pressure 300 PSI 18187 3/8" ID UV Black, Working Pressure 250 psi 14828 1/2" ID Working Pressure 300 PSI 15043 3/4" ID Working Pressure 200 PSI 15232 1" ID Working Pressure 200 PSI88 .98 .93 1.57 2.87	
SOLUTION FERTILIZER HOSE  12593	18184 1-1/4" Enforcer-Reinforced Fert..... 18185 1-1/2" Enforcer-Reinforced Fert..... 18186 2" Enforcer-Reinforced Fert..... 12593 1" ID Working Pressure 80 PSI 12273 1-1/4" ID Working Pressure 80 PSI 12274 1-1/2" ID Working Pressure 60 PSI 12275 2" ID Working Pressure 55 PSI 15048 3" ID Working Pressure 55 PSI	2.72 3.45 4.24 1.64 1.75 1.98 4.17 6.15	
EPDM SPRAY HOSE  14829	14829 3/8" ID Working Pressure 200 PSI 10163 1/2" ID Working Pressure 200 PSI 15049 5/8" ID Working Pressure 200 PSI 13202 3/4" ID Working Pressure 200 PSI 13216 1" ID Working Pressure 200 PSI 12181 1-1/4" ID Working Pressure 200 PSI55 .67 .85 .99 1.47 2.98	
WATER SERVICE HOSE  15333	15335 1/4" ID Clear Vinyl Hose 15334 3/8" ID Clear Vinyl Hose 15333 1/2" ID Clear Vinyl Hose 14726 5/8" ID Clear Vinyl Hose 15343 3/4" ID Clear Vinyl Hose 17098 1" ID Clear Vinyl Hose 16781 1-1/4" ID Clear Vinyl Hose28 .32 .40 .92 .90 1.10 2.10	
NH3 NYLON REINFORCED TRANSFER HOSE 6 YEAR WARRANTY/SERVICE LIFE W.P. 350 PSI WITH A 5.1 SAFETY FACTOR  REUSABLE HOSE ENDS 20708 3/4" 20709 1" 21129 1-1/4"	13817 1" x 15 FT 13816 1" x 10 FT 15156 1" x 54" 14724 1" x 42" 14722 1" / FT 14723 3/4" / FT 13819 1-1/4" x 15 13818 1-1/4" x 10 14721 1-1/4" / FT 24176 1" Ends / PR (Factory Installed) 24175 3/4" Ends / PR (Factory Installed) 24177 1-1/4" Ends / PR (Factory Installed)	159.11 116.83 84.18 70.25 11.87 9.92 280.35 208.69 16.66 29.93 21.25 37.35	
POLY TUBING	18353 1/4" OD Working Pressure 230 PSI16	
HOSE ACCESSORIES  16480	14648 21" Plastic Tie, UV Protected..... 10168 3/8" Hose Clamp, Screw type, SS 15270 3/8" Spring Clamp, Spring Wire Type 10330 1/2" Hose Clamp, Screw Type, SS 16480 3/4" Hose Clamp, Screw Type, SS 10824 1" Hose Clamp, Screw Type, SS 11499 1-1/4" Hose Clamp, Screw Type, SS 12117 1-1/2" Hose Clamp, Screw Type, SS 12270 2" Hose Clamp, Screw Type, SS 15656 2" T-Bolt Clamp, Stainless Steel 11315 2-1/2" Hose Clamp, Screw Type, SS 12149 5" Hose Clamp, Screw Type, SS73 .59 .18 .62 .75 .77 .78 1.07 1.28 6.03 1.60 2.20	

TANKS, ACCESSORIES, AND FLOAT GAUGES

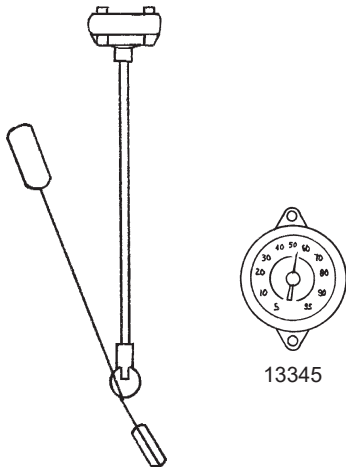
POLYETHYLENE HORIZONTAL TANKS (HIGH DENSITY)



14178	110 Gal Tank 30" x 50"	Call for Quote
17615	150 Gal Tank 32" x 56"	Call for Quote
26370	110 Gal Saddle.....	332.47
14179	200 Gal Tank 32" x 71"	Call for Quote
12297	200 Gal Cradle 24" x 55"	91.00
26370	200 Gal Saddle.....	332.47
14180	300 Gal Tank 38" x 72"	Call for Quote
12298	300 Gal Cradle 36" x 55"	102.80
26365	300 Gal Saddle.....	363.84
14181	400 Gal Tank 42" x 70"	Call for Quote
12298	400 Gal Cradle 36" x 55"	123.36
26735	400 Gal Saddle.....	375.62
14182	500 Gal Tank 48" x 75"	Call for Quote
12300	500 Gal Cradle 36" x 55"	125.93
22295	500 Gal Saddle.....	445.58

SQUIBB-TAYLOR SENIOR FLOAT GAUGES

Senior float Gauges are Available in Top Mount, End Mount, or a 45 Degree Angle Mount. Prices Include Gasket and Four Mounting Screws.



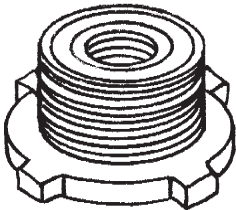
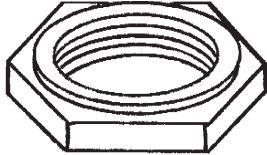
Tank Diameter	Top Mt. Part #		End Mt. Part #		45. Mt. Part #	
24"	11422	115.96	11430	109.48	11438	\$119.96
30"	11423	116.36	11431	110.34	11439	102.72
36"	11424	120.72	11432	111.94	11440	122.46
37.5"	11425	63.02	11433	115.52	11441	63.68
41"	11426	48.44	11434	58.48	11442	63.60
42"	11427	119.66	11435	109.54	11443	162.22
46"	11428	49.10	11436	59.32	11444	69.80
48"	11429	107.56	11437	113.24	11445	133.34

SENIOR REPLACEMENT GAUGE HEADS

11586	Dial Gasket	1.66
11585	Gauge Head for Gauges Before 1983	15.66
13007	Gauge Head for Gauges 1984 and Later.....	17.90
13345	Gauge Head for Rochester	21.36

TANK ACCESSORIES

TANK BUNGS AND GASKETS



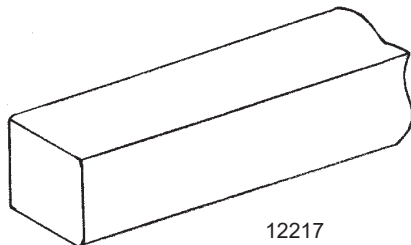
27136

22924	3/4" HD Tank Bung, 1-5/8" Bung Dia.	\$6.66
15361	3/4" Gasket64
23046	1" HD Tank Bung, 2-1/2" Bung Dia.	7.93
15362	1" Gasket67
22323	1-1/4" HD Tank Bung, 2-1/2" Bung Dia.	9.24
15363	1-1/4" Gasket67
22324	1-1/2" HD Tank Bung, 2-1/2" Bung Dia.	14.20
15364	1-1/2" Gasket92
23047	2" HD Tank Bung, 3-1/8" Bung Dia.	14.20
15365	2" Gasket92
23048	3" HD Tank Bung, 4-1/4" Bung Dia.	30.43
15366	3" Gasket	6.40

27136	3/4" Standard Tank Bung, 2-1/4" Bung Dia	5.08
16487	3/4" - 1-1/2" Gasket.....	2.82
27137	1" Standard Tank Bung, 2-1/4" Bung Dia	5.08
27138	1-1/4" Standard Tank Bung, 2-1/4" Bung Dia	8.98
24654	1-1/2" Standard Tank Bung, 2-1/4" Bung Dia	7.48
23777	2" Standard Tank Bung, 3" Bung Dia	22.17
16488	2" Gasket	12.17
23049	3" Standard Tank Bung, 4-1/2" Bung Dia	70.98
17273	3" Gasket	11.32

26700	Tank Strap Kit (Includes Straps, Buckles, & Hdwe.).....	38.35
16703	Webbing, per yard.....	1.35
13210	Jet Agitator, 3/4", Polypro.....	7.42
14718	Jet Agitator Tee	11.87

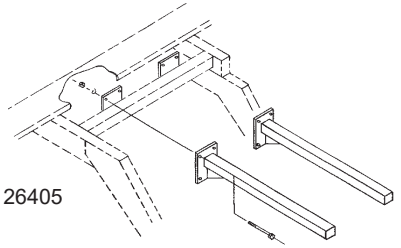
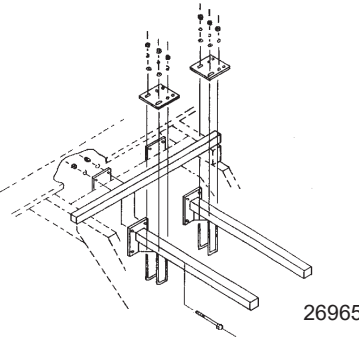
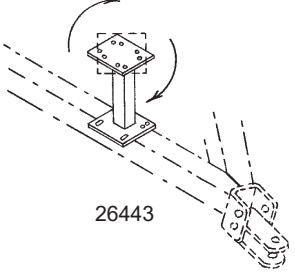
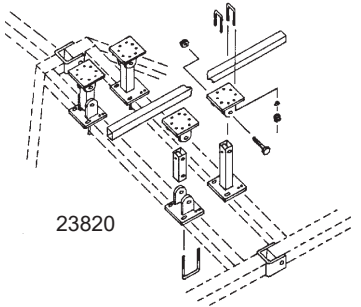
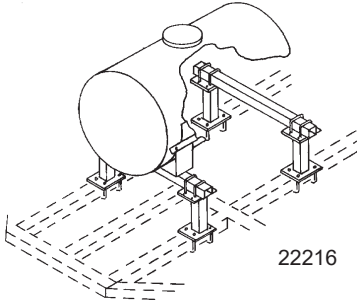
MOUNTING BAR STOCK 2-1/2" SQUARE



12217

31110	2-1/2" Square x 40"	\$49.18
32213	2-1/2" Square x 54"	67.02
34618	2-1/2" Square x 66"	81.30
35387	2-1/2" Square x 74"	87.78
31111	2-1/2" Square x 80"	98.68
34498	2-1/2" Square x 84"	111.68
34499	2-1/2" Square x 90"	113.10
12217	Priced Per Foot.....	12.23

TANK STAND ASSEMBLIES

 <p>26405</p>	<p style="text-align: center;">JD 750 DRILL WITH 200 GAL TANK ASSEMBLY</p> <p>26405 Includes Two Stands, Backing Plates, and all Hardware to Mount a 200 Gallon Tank onto a JD 750 No-till Drill..... \$208.14</p>
 <p>26965</p>	<p style="text-align: center;">JD 750 DRILL WITH 300 GAL TANK ASSEMBLY</p> <p>26965 Includes Two Stands, Backing Plates, and all Hardware to Mount a 300 Gallon Tank onto a JD 750 No-till Drill..... 534.02</p>
 <p>26443</p>	<p style="text-align: center;">PIVOT TANK STAND ASSEMBLY</p> <p>26443 Stand Mounting Plate "Pivots" as Shown to Easily Mount a Support Bar for a Tank. Implement Tongue Angles are No Longer a Problem. Includes Four Stands, Two Mounting Bars, and All Mounting Hardware..... 678.98</p>
 <p>23820</p>	<p style="text-align: center;">SWIVEL TANK STAND ASSEMBLY</p> <p>23820 For Machines with Flexing Hinges. Includes one pair of 12" Swivel Stands, One Pair of 12" Swivel Stands, One Pair 12" Double Swivel Stands, Two Mounting Bars, and All Hardware. Specify Frame Size 539.92</p>
 <p>22216</p>	<p style="text-align: center;">STANDARD TANK STAND ASSEMBLY</p> <p>22216 Includes Two Pair of 12" Universal Stands, Two Mounting Bars, and All Hardware needed. Specify Frame Size..... 492.06</p>

Quick TeeJet® SPRAYER TIPS

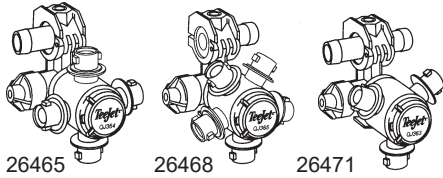
PART NUMBER		Angle	DESCRIPTION	SIZE	Retail Price
	XR TeeJet® 13616-(size) 13617-(size)	80° 110°	EXTENDED RANGE TIPS (TAPERED FLAT SPRAY)	01 through 08 01 through 08	\$4.68 4.68
	Turbo TeeJet® FLAT FAN 16191-(size)	110°	TURBO SPRAY TIPS (WIDE ANGLE FLAT SPRAY)	01 through 08	4.42
	Turbo TwinJet® 18332-(size)	110°	SPRAY TIPS (TWIN FLAT SPRAY)	02 through 06	5.34
	TeeJet® 13622-(size) 13623-(size)	80° 110°	SPRAY TIPS (TAPERED FLAT SPRAY)	01 through 08 01 through 08	4.18 4.18
	AI TeeJet® 17274-(size)	110° 110°	SPRAY TIPS (TAPERED FLAT SPRAY)	015 through 10	8.95
	AIC TeeJet® 18255-(size)-VP	110°	SPRAY TIPS (POLYMER) (TAPERED FLAT SPRAY)	02 through 05	4.49
	AIC TeeJet® 18271-(size)-VK	110°	SPRAY TIPS (CERAMIC) (TAPERED FLAT SPRAY)	025 through 05	7.90
	AIXR TeeJet® 18252-(size)	110°	XR SPRAY TIPS (TAPERED FLAT SPRAY)	015 through 06	4.93
	TeeJet® UB-UNDERLEAF 15238-(size)	85°	UB-UNDERLEAF BANDING	All Sizes	18.94
	TeeJet® 13626-(size)	80°	(EVEN FLAT SPRAY)	01 through 08	4.18
	Turbo FloodJet® 15199-(size)		(WIDE ANGLE FLAT SPRAY)	01, 2.5, 3, 4, 7.5, 10	8.86
	FloodJet® 13636-(size)		(WIDE ANGLE FLAT SPRAY)	2 to 10	7.98
	DG TeeJet® 15196-(size) 15197-(size)	80° 100°	DRIFT GUARD TIPS (TAPERED FLAT SPRAY)	01 to 05 01 to 05	6.49
	DG TeeJet® Even 17008-(size)		DRIFT GUARD TIPS (EVEN FLAT SPRAY)	015 to 05	6.49
	TX ConeJet® 14349-(size)		(HOLLOW CONE SPRAY)	4, 6, 8, 10, 12, 16	4.42
	Turbo TeeJet® Induction 18253-(size)	110°	SPRAY TIPS (TAPERED FLAT SPRAY)	015 through 06	4.87
	StreamJet® 18262-(size)		FERTILIZER NOZZLES	015 through 20	5.99

SPRAYER CAPS AND PARTS

Quick TeeJet NOZZLE SYSTEMS FOR DRY BOOMS

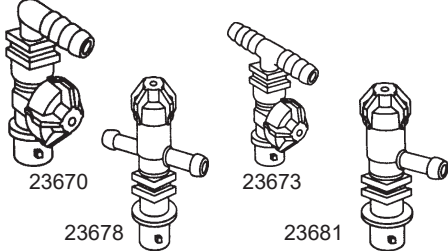
Retail Price

MULTIPLE NOZZLE BODIES DIAPHRAGM CHECK VALVES



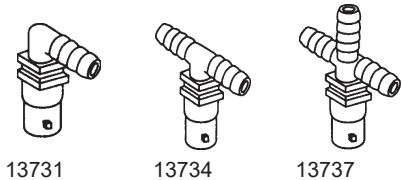
Single	Double		
26461	26470	Three-way Nozzle Body, 363, 1/2"	\$13.08
26462	26471	Three-way Nozzle Body, 363, 3/4"	13.08
26463	26472	Three-way Nozzle Body, 363, 1"	13.08
26464	26473	Four-way Nozzle Body, 364, 1/2"	13.08
26465	26474	Four-way Nozzle Body, 364, 3/4"	13.08
26466	26475	Four-way Nozzle Body, 364, 1"	13.08
26467	26476	Five-way Nozzle Body, 365, 1/2"	13.08
26468	26477	Five-way Nozzle Body, 365, 3/4"	13.08
26469	26478	Five-way Nozzle Body, 365, 1"	13.08

NOZZLE BODIES W/DIAPHRAGM CHECK VALVES



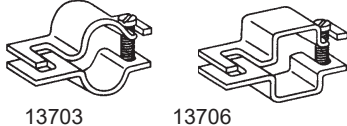
23669	Nozzle, with Single Hose Barb, 3/8"	6.70
23670	Nozzle, with Single Hose Barb, 1/2"	6.70
23671	Nozzle, with Single Hose Barb, 3/4"	6.70
23672	Nozzle, with Double Hose Barb, 3/8"	6.70
23673	Nozzle, with Double Hose Barb, 1/2"	6.70
23674	Nozzle, with Double Hose Barb, 3/4"	6.70
23678	Nozzle, Top Check, Single Hose Barb, 3/8"	5.53
23679	Nozzle, Top Check, Single Hose Barb, 1/2"	5.53
23680	Nozzle, Top Check, Single Hose Barb, 3/4"	5.53
23681	Nozzle, Top Check, Double Hose Barb, 3/8"	5.53
23682	Nozzle, Top Check, Double Hose Barb, 1/2"	5.53
23683	Nozzle, Top Check, Double Hose Barb, 3/4"	5.53

NOZZLE BODIES



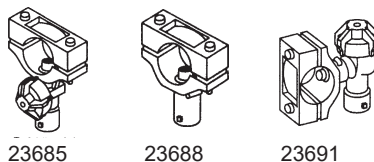
13731	Single Hose Shank, 3/8"	2.70
13732	Single Hose Shank, 1/2"	2.70
13733	Single Hose Shank, 3/4"	2.70
13734	Double Hose Shank, 3/8"	2.70
13735	Double Hose Shank, 1/2"	2.70
13736	Double Hose Shank, 3/4"	2.70
13737	Triple Hose Shank, 3/8"	2.70
13738	Triple Hose Shank, 1/2"	2.70
13739	Triple Hose Shank, 3/4"	2.70

VARI-SPACING CLAMPS FOR DRY BOOMS



13702	Quick Clamp, Round, 1/2"	1.78
13703	Quick Clamp, Round, 3/4"	1.78
13704	Quick Clamp, Round, 1"	1.78
15341	Quick Clamp, Round, 1-1/4"	1.78
13705	Quick Clamp, Square, 3/4"	1.78
13706	Quick Clamp, Square, 1"	1.78
12901	Quick Clamp, Square, 1-1/4"	1.80
13708	Quick Clamp, Square, 1-1/2"	3.94

WET BOOM SPLIT EYELETS



23684	Split Eyelet with Check, 1/2"	2.93
23685	Split Eyelet with Check, 3/4"	2.93
23686	Split Eyelet with Check, 1"	2.93
23687	Split Eyelet, Holder, 1/2"	2.71
23688	Split Eyelet, Holder, 3/4"	3.69
23689	Split Eyelet, Holder, 1"	3.69
23690	Split Eyelet, Top Check, 1/2"	6.84
23691	Split Eyelet, Top Check, 3/4"	6.84
23692	Split Eyelet, Top Check, 1"	6.84



Quick TeeJet CAPS & PARTS

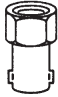


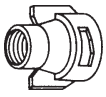
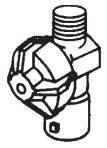
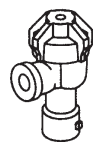
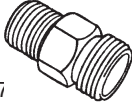
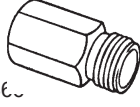
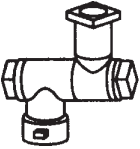
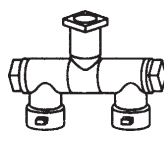
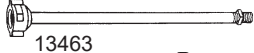
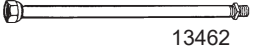

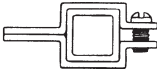

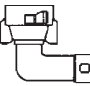
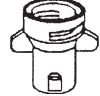
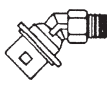
Quick TeeJet Cap Colors	Color Code	Quick TeeJet Cap Colors	Color Code
Black	1	Green	5
White	2	Yellow	6
Red	3	Brown	7
Blue	4	Orange	8

13695	Regular Cap, Flat Fan w/Gasket	\$.71
13697	TwinJet Cap w/ Gasket	.79
13698	Visiflow Cap, FloodJet w/Gasket	.79
13699	Universal Cap w/Gasket	.79
13700	Disc/Core Cap (Cap Only)	.57
13701	Adaptor Cap, 1/4" FPT	1.57
14489	Seat Gasket, Reg. Cap, EPDM	.33
14490	Seat Gasket, Reg. Cap, Viton®	1.41



Select this icon at our online catalog for complete line of tips, sizes, rate charts, and recommendations

SPRAYER PARTS

			Retail Price
DIAPHRAGM CHECK VALVES			
 14847	 14851	 24848	 13701
14847	14851	24848	13701
14847	14847 Adaptor, 11/16" Inlet, QJ Outlet..... 3.44 14851 Adaptor, 1/4" MPT Inlet, QJ Outlet 1.85 14852 Adaptor, 1/4" FPT Inlet, QJ Outlet..... 1.85 24848 Adaptor, w/Check Valve, 11/16" Inlet, QJ Outlet 3.60 13701 Adaptor Cap, 1/4" FPT Outlet, QJ Inlet 1.57		
Quick TeeJet[®] ADAPTORS			
 23693	 23694		
23693	23694	23693 Check Valve, with Body 1/4" MPT..... 3.37 23694 Check Valve, Top Check 1/4" FPT 6.98 23665 Check Valve with Body 1/4" NPT x 11/16" MPT 3.65 13667 Diaphragm, EPDM (Diaphragm Only)..... .31 23666 Diaphragm with Body 1/4" NPT x 11/16" MPT 11.47 15593 Check Valve Cap (Cap only)..... 2.43	
THREADED NOZZLE BODIES			
 137	 13466		
137	13466	13768 Nylon, 1/4" MPT x 11/16" Threaded Outlet..... 1.08 13466 Nylon, 1/4" FPT x 11/16" Threaded Outlet 1.05	
SWIVELS			
 13464	 13465		
13464	13465	13464 Single 1/4" FPT Inlet, QJ Outlet 4.93 15592 Single 1/4" FPT Inlet x 11/16" MPT Outlet..... 4.25 13465 Double 1/4" FPT Inlet, 2-QJ Outlet..... 5.94 15379 Double 1/4" FPT Inlet, 2-11/16" Outlet 6.64 15346 Double 1/8" FPT Inlet, 2-11/16" Outlet 4.95	
TeeJet[®] HOSE DROPS			
 13463	 13462		
13463	13462	13463 15" QJ Inlet 1/4" MPT Outlet 8.02 13462 Drops, Nylon 15" Inlet 11/16" FTJ Thread x 1/4" MPT Outlet..... 5.29	
BOOM CLAMPS			
 13457	 13460		
13457	13460	13456 Boom Clamp, Round 1/2"..... 3.05 13457 Boom Clamp, Round 3/4"..... 3.05 13458 Boom Clamp, Round 1"..... 3.05 13459 Boom Clamp, Round 1-1/4" 5.12 13460 Boom Clamp, Square 1"..... 3.51 13461 Boom Clamp, Square 1-1/4" 6.29	
 28270	 28268	 28269	 18267
28270	28268	28269	18267
28270		28270 Adapter, Duo Nozzle w/gasket 3.00 28268 Adapter, 90 Deg w/gasket..... 3.00 28269 Adapter, Hardi Quick w/gasket..... 2.12 18267 Adapter, 45 Deg Nozzle 1.85	

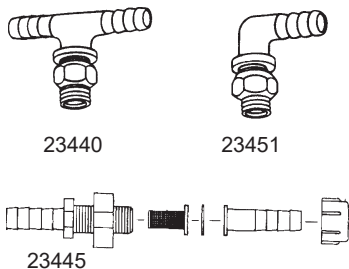


Select this Icon at our online catalog for complete line of Nozzles and Check Valves

SPRAYER PARTS

**Retail
Price**

**HOSE BARB BODIES W/NUTS
11/16" TeeJet Threaded Outlet (Nylon)**



23440	Nozzle Body, T, 3/8".....	\$1.98
23441	Nozzle Body, T, 1/2".....	1.98
23442	Nozzle Body, T, 5/8".....	1.98
23443	Nozzle Body, T, 3/4".....	1.98
23444	Nozzle Body, T, 1".....	1.90
23445	Nozzle Body, Straight, 3/8".....	.68
23446	Nozzle Body, Straight, 1/2".....	1.80
23447	Nozzle Body, Cross, 3/8".....	2.87
23448	Nozzle Body, Cross, 1/2".....	2.87
23449	Nozzle Body, Cross, 3/4".....	3.08
13450	Nylon Nut.....	.33
23451	Nozzle Body, L, 3/8".....	1.82
23452	Nozzle Body, L, 1/2".....	1.82
23453	Nozzle Body, L, 5/8".....	1.82
23454	Nozzle Body, L, 3/4".....	1.82
23455	Nozzle Body, L, 1".....	2.50

**NOZZLE CAPS & NUT
with Female 11/16" TeeJet Thread**



13647	Nylon Nozzle Cap.....	.60
13648	Brass Nozzle Cap.....	1.53
13649	Stainless Nozzle Cap.....	5.47
13651	Plugged Nozzle Cap, Nylon.....	.60
13450	Nylon Locking Nut, Only.....	.33

NOZZLE CAP BARBS



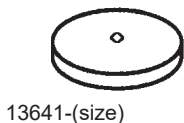
13655	Barb, Nozzle Cap, 1/4".....	.60
13656	Barb, Nozzle Cap, 3/8".....	.60
13657	Barb, Nozzle Cap, 1/2".....	.60

NOZZLE SCREENS & CHECKS



13658	Nozzle Strainer, 50 Mesh, Nylon.....	.80
13659	Nozzle Strainer, 100 Mesh, Nylon.....	.80
13660	Nozzle Strainer, Check, 50 Mesh, Nylon.....	2.66
13661	Nozzle Strainer, Check, 100 Mesh, Nylon.....	2.66
13662	Cup, Strainer, 50 Mesh.....	1.05
23663	Check Valve, PolyPro.....	3.76
15662	Nozzle Strainer, 50 Mesh, Brass.....	1.91
15663	Nozzle Strainer, 100 Mesh, Brass.....	1.91

METERING ORIFICES



13641-	Metering Orifice, Stainless specify size # (Example: Order 13641-30).....	2.11
16024	Seal Washer for Use with Twist Loc Cap.....	.71

BLANK TIPS

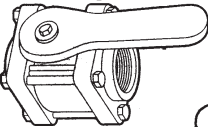
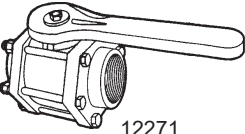
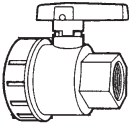
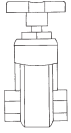
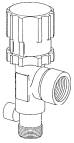
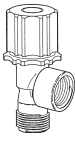

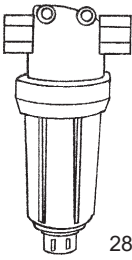
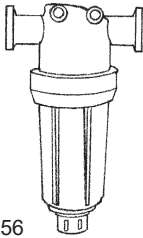
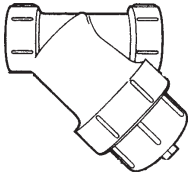
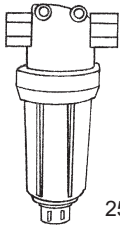


13652	Blank Tip, Aluminum.....	.30
13653	Blank Tip, Brass.....	.30
13654	Blank Tip, Stainless.....	.45



Select this Icon at our online catalog for complete line of Nozzles and Check Valves


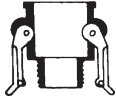
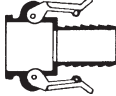





SPRAYER PARTS

SPRAYER PARTS		Retail Price	
 15239  12271	BALL VALVES		
	15239	Ball Valve, Full Port, PolyPro..... 3/4"	\$27.10
	11575	Ball Valve, Full Port, PolyPro..... 1"	29.88
	11576	Ball Valve, Full Port, PolyPro..... 1-1/4"	38.42
	12057	Ball Valve, Full Port, PolyPro..... 1-1/2"	38.42
	12271	Ball Valve, Full Port, PolyPro..... 2"	54.10
	25158	Ball Valve Bracket 1-1/4--1-1/2"	25.75
	25159	Ball Valve Bracket 2"	26.87
	15465	Ball Valve Handle 3/4"	3.68
	13771	Ball Valve Handle 1"	3.68
	13772	Ball Valve Handle 1-1/4"--1-1/2"	6.23
13774	Ball Valve Handle 2"	10.18	
 14401	UNION VALVES		
	14401	Single Union, PolyPro 1/2"	13.85
	13747	Single Union, PolyPro 3/4"	13.85
	14402	Single Union, PolyPro 1"	17.32
	14403	Single Union, PolyPro 1-1/4"	29.73
15240	Single Union, PolyPro 1-1/2"	29.53	
 13275	GATE VALVES		
	13275	Gate Valve, PolyPro 1/2"	13.22
	13276	Gate Valve, PolyPro 3/4"	27.77
	13206	Gate Valve, PolyPro 1"	33.00
14371	Gate Valve, PolyPro 1-1/4"	34.46	
 23470  24637	PRESSURE RELIEF & THROTTLING VALVES		
	23470	Relief Valve, PolyPro 1/2"	23.33
	23471	Relief Valve, PolyPro 3/4"	23.33
	24637	Throttling Valve..... 1/2"	20.23
24992	Throttling Valve..... 3/4"	20.23	
 13781	SPRAYER GAUGES & GAUGE		
	13781	60# Sprayer Gauge, Glycerin Filled	50.86
	13782	60# Sprayer Gauge, Standard	21.62
	15719	60# Sprayer Gauge, Dry (4").....	22.68
	13783	100# Sprayer Gauge, Glycerin Filled	50.86
13784	100# Sprayer Gauge, Standard	21.62	
 28258  28256	FLUSH-OUT LINE STRAINERS		
	28257	3/4" NPT Flush-Out Line Strainer, PolyPro	22.15
	28258	1" NPT Flush-Out Line Strainer, PolyPro	22.15
	28256	50 Series Flush-Out Line Strainer, PolyPro	22.15
	14327-(?)	Screen, Mesh (See Below)	8.89
	14328	Viton® O-Ring for 3/4" & 1" Strainers.....	2.73
	28260	1-1/4" NPT Flush-Out Line Strainer, PolyPro	45.34
	28261	1-1/2" NPT Flush-Out Line Strainer, PolyPro	45.34
	28259	75 Series Flush-Out Line Strainer, PolyPro	45.34
	14331-(?)	Screen, Mesh (See Below)	12.52
	14332	Viton® Gasket for 1-1/4" & 1-1/2"	10.23
<i>Strainer Screens are available in 16, 30, 50, and 80 mesh. Example on how to order: 14327-16: (16 Mesh Screen for 3/4" and 1" T-Strainers)</i>			
 13116  25242	SELF-CLEANING & LINE STRAINERS		
	28333	3/4" NPT Compact Line Strainer, PolyPro	11.99
	18331-50	Screen, 50 Mesh	4.58
	18331-80	Screen, 80 Mesh	4.58
	25242	Self-Cleaning, 3/4" in and out, PolyPro	34.24
	24782	Self-Cleaning, 1" in and out, PolyPro	34.24
	24783	Self-Cleaning, 1-1/2" in and out, Nylon	57.44
	13116	"Y" Strainer..... 2"	54.28
	15051	Gasket..... 2"	2.68
	13467-(?)	Screen, Mesh, (See Below) 2"	12.53
<i>Strainer Screens are available in 10, 40, and 80 mesh. Example on how to order: 13467-20: (1-1/4" Strainer 20 Mesh Screen)</i>			


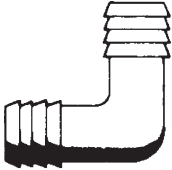
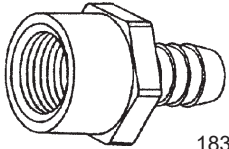
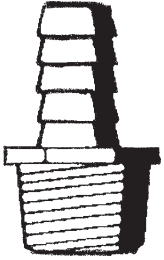
POLY PIPE FITTINGS

MALE ADAPTERS AND CAM LOCK COUPLERS, POLYPRO

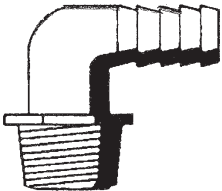
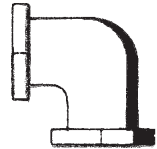
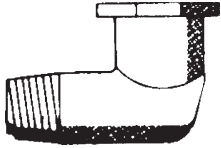
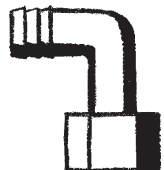
**Retail
Price**

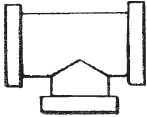
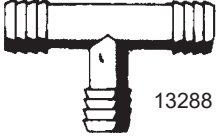
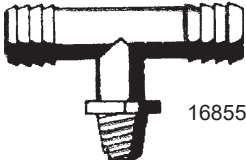



"A" 	14271	"A" Male Adapter x Female Thread 3/4"	\$ 3.57	
	14272	"A" Male Adapter x Female Thread 1"	3.57	
	14273	"A" Male Adapter x Female Thread 1-1/4"	3.57	
	14274	"A" Male Adapter x Female Thread 1-1/2"	4.05	
	14275	"A" Male Adapter x Female Thread 2"	4.77	
	14276	"A" Male Adapter x Female Thread 3"	11.53	
	"B" 	14280	"B" Female Coupler x Male Thread 3/4"	8.15
14281		"B" Female Coupler x Male Thread 1"	9.37	
12940		"B" Female Coupler x Male Thread 1-1/4"	9.37	
12948		"B" Female Coupler x Male Thread 1-1/2"	10.98	
12956		"B" Female Coupler x Male Thread 2"	13.38	
14282		"B" Female Coupler x Male Thread 3"	22.48	
"C" 	14277	"C" Female Coupler x Hose Shank 3/4"	8.15	
	14278	"C" Female Coupler x Hose Shank 1"	9.37	
	12941	"C" Female Coupler x Hose Shank 1-1/4"	9.37	
	12949	"C" Female Coupler x Hose Shank 1-1/2"	10.98	
	12551	"C" Female Coupler x Hose Shank 2"	13.38	
	14279	"C" Female Coupler x Hose Shank 3"	22.48	
"D" 	14283	"D" Female Coupler x Female Thread 3/4"	8.15	
	14284	"D" Female Coupler x Female Thread 1"	9.37	
	12942	"D" Female Coupler x Female Thread 1/1/4"	9.37	
	12950	"D" Female Coupler x Female Thread 1/1/2"	10.98	
	12409	"D" Female Coupler x Female Thread 2"	13.38	
	14285	"D" Female Coupler x Female Thread 3"	22.48	
"E" 	14286	"E" Male Adapter x Hose Shank 3/4"	3.85	
	14287	"E" Male Adapter x Hose Shank 1"	4.28	
	12943	"E" Male Adapter x Hose Shank 1-1/4"	4.28	
	12951	"E" Male Adapter x Hose Shank 1-1/2"	4.30	
	12410	"E" Male Adapter x Hose Shank 2"	5.63	
	14288	"E" Male Adapter x Hose Shank 3"	14.78	
"F" 	14289	"F" Male Adapter x Male Thread 3/4"	3.85	
	14290	"F" Male Adapter x Male Thread 1"	4.28	
	12944	"F" Male Adapter x Male Thread 1-1/4"	4.28	
	12952	"F" Male Adapter x Male Thread 1-1/2"	4.30	
	12957	"F" Male Adapter x Male Thread 2"	5.63	
	14291	"F" Male Adapter x Male Thread 3"	14.78	
"DP"  "DC" 	14295	"DP" Dust Plug for Female Coupler 3/4"	3.85	
	14296	"DP" Dust Plug for Female Coupler 1"	3.70	
	12945	"DP" Dust Plug for Female Coupler 1-1/4"	3.70	
	12953	"DP" Dust Plug for Female Coupler 1-1/2"	4.97	
	12674	"DP" Dust Plug for Female Coupler 2"	5.60	
	14297	"DP" Dust Plug for Female Coupler 3"	11.72	
	14292	"DC" Cap for Male Adapter 3/4"	8.15	
	14293	"DC" Cap for Male Adapter 1"	9.00	
	12946	"DC" Cap for Male Adapter 1-1/4"	9.00	
	12954	"DC" Cap for Male Adapter 1-1/2"	10.98	
	12958	"DC" Cap for Male Adapter 2"	13.38	
	14294	"DC" Cap for Male Adapter 3"	22.48	
	GASKETS FOR FEMALE CAMLOCK COUPLERS	14298	Gasket 3/4"63
		14299	Gasket 1"63
14300		Gasket 1-1/4"63	
14301		Gasket 1-1/2"68	
14302		Gasket 2"72	
14303		Gasket 3"98	
16651		Gasket Shim 2"97	
16652	Gasket Shim 3"97		

PIPE FITTINGS

POLYPRO HOSE FITTINGS			Retail Price
<p>HOSE MENDERS</p>  <p style="text-align: right; margin-right: 20px;">13303</p>	<p>16841 Hose Mender, 3/8" x 1/4"</p> <p>13303 Hose Mender, 3/8" x 3/8"</p> <p>16842 Hose Mender, 1/2" x 1/4"</p> <p>16843 Hose Mender, 1/2" x 3/8"</p> <p>13304 Hose Mender, 1/2" x 1/2"</p> <p>13305 Hose Mender, 3/4" x 3/4"</p> <p>13306 Hose Mender, 1" x 1"</p> <p>16844 Hose Mender, 1-1/4" x 1-1/4"</p> <p>16845 Hose Mender, 1-1/2" x 1-1/2"</p> <p>16846 Hose Mender, 2" x 2"</p>	<p>\$.67</p> <p>1.30</p> <p>.70</p> <p>.93</p> <p>1.33</p> <p>1.45</p> <p>1.77</p> <p>2.00</p> <p>3.53</p> <p>4.43</p>	
<p>ELBOW BARBS</p>  <p style="text-align: right; margin-right: 20px;">16821</p>	<p>16821 Elbow Barb, 1/4" x 1/4"</p> <p>16822 Elbow Barb, 3/8" x 3/8"</p> <p>16823 Elbow Barb, 1/2" x 1/4"</p> <p>16824 Elbow Barb, 1/2" x 3/8"</p> <p>16825 Elbow Barb, 1/2" x 1/2"</p> <p>16826 Elbow Barb, 3/4" x 3/4"</p> <p>16827 Elbow Barb, 1" x 1"</p> <p>14324 Elbow Barb, 1-1/4" x 1-1/4"</p> <p>16828 Elbow Barb, 1-1/2" x 1-1/2"</p> <p>14523 Elbow Barb, 2" x 2"</p>	<p>.80</p> <p>.56</p> <p>1.07</p> <p>1.07</p> <p>.73</p> <p>.80</p> <p>1.88</p> <p>4.21</p> <p>4.55</p> <p>7.03</p>	
<p>HOSE BARBS</p>  <p style="text-align: right; margin-right: 20px;">18387</p>  <p style="text-align: right; margin-right: 20px;">16868</p>	<p>18387 Hose Barb, 1/4" FPT x 3/8" HB</p> <p>16868 Hose Barb, 1/8" MPT x 1/4" HB</p> <p>16869 Hose Barb, 1/8" MPT x 3/8" HB</p> <p>15059 Hose Barb, 1/4" MPT x 1/4" HB</p> <p>13296 Hose Barb, 1/4" MPT x 3/8" HB</p> <p>16870 Hose Barb, 1/4" MPT x 1/2" HB</p> <p>16871 Hose Barb, 3/8" MPT x 1/4" HB</p> <p>13297 Hose Barb, 3/8" MPT x 3/8" HB</p> <p>11002 Hose Barb, 3/8" MPT x 1/2" HB</p> <p>16872 Hose Barb, 3/8" MPT x 5/8" HB</p> <p>16873 Hose Barb, 1/2" MPT x 1/4" HB</p> <p>15060 Hose Barb, 1/2" MPT x 3/8" HB</p> <p>13298 Hose Barb, 1/2" MPT x 1/2" HB</p> <p>16874 Hose Barb, 1/2" MPT x 5/8" HB</p> <p>13299 Hose Barb, 1/2" MPT x 3/4" HB</p> <p>16875 Hose Barb, 3/4" MPT x 1/4" HB</p> <p>16876 Hose Barb, 3/4" MPT x 3/8" HB</p> <p>13215 Hose Barb, 3/4" MPT x 1/2" HB</p> <p>16877 Hose Barb, 3/4" MPT x 5/8" HB</p> <p>13300 Hose Barb, 3/4" MPT x 3/4" HB</p> <p>13301 Hose Barb, 3/4" MPT x 1" HB</p> <p>13203 Hose Barb, 1" MPT x 3/4" HB</p> <p>12655 Hose Barb, 1" MPT x 1" HB</p> <p>13302 Hose Barb, 1" MPT x 1-1/4" HB</p> <p>15061 Hose Barb, 1-1/4" MPT x 3/4" HB</p> <p>11571 Hose Barb, 1-1/4" MPT x 1" HB</p> <p>11572 Hose Barb, 1-1/4" MPT x 1-1/4" HB</p> <p>16878 Hose Barb, 1-1/4" MPT x 1-1/2" HB</p> <p>15063 Hose Barb, 1-1/2" MPT x 1-1/4" HB</p> <p>12266 Hose Barb, 1-1/2" MPT x 1-1/2" HB</p> <p>15064 Hose Barb, 2" MPT x 1-1/2" HB</p> <p>12269 Hose Barb, 2" MPT x 2" HB</p> <p>14730 Hose Barb, 3" MPT x 3" HB</p>	<p>1.52</p> <p>.72</p> <p>.72</p> <p>.93</p> <p>.93</p> <p>1.12</p> <p>.83</p> <p>1.02</p> <p>1.10</p> <p>.80</p> <p>.83</p> <p>1.27</p> <p>.83</p> <p>.80</p> <p>.95</p> <p>1.12</p> <p>1.12</p> <p>1.37</p> <p>.93</p> <p>1.37</p> <p>1.37</p> <p>1.15</p> <p>1.68</p> <p>1.40</p> <p>1.68</p> <p>3.22</p> <p>2.52</p> <p>2.35</p> <p>3.62</p> <p>2.88</p> <p>9.28</p>	

PIPE FITTINGS

POLYPRO HOSE FITTINGS		Retail Price	
<p>ELBOW HOSE BARBS</p>  <p align="center">16832</p>	<p>16832 15056 16833 16834 13295 16835 13294 13292 15057 16836 16837 13214 13213 13291 16838 13290 12591 15058 15169 16839 11573 11574 16840 15170 12265 14524</p>	<p>Hose Barb, Elbow, 1/8" MPT x 3/8" HB Hose Barb, Elbow, 1/4" MPT x 1/4" HB Hose Barb, Elbow, 1/4" MPT x 1/2" HB Hose Barb, Elbow, 3/8" MPT x 1/4" HB Hose Barb, Elbow, 3/8" MPT x 3/8" HB Hose Barb, Elbow, 1/2" MPT x 1/4" HB Hose Barb, Elbow, 1/2" MPT x 3/8" HB Hose Barb, Elbow, 1/2" MPT x 1/2" HB Hose Barb, Elbow, 1/2" MPT x 3/4" HB Hose Barb, Elbow, 3/4" MPT x 1/4" HB Hose Barb, Elbow, 3/4" MPT x 3/8" HB Hose Barb, Elbow, 3/4" MPT x 1/2" HB Hose Barb, Elbow, 3/4" MPT x 3/4" HB Hose Barb, Elbow, 3/4" MPT x 1" HB Hose Barb, Elbow, 1" MPT x 1/2" HB Hose Barb, Elbow, 1" MPT x 3/4" HB Hose Barb, Elbow, 1" MPT x 1" HB Hose Barb, Elbow, 1" MPT x 1-1/4" HB Hose Barb, Elbow, 1" MPT x 1-3/4" HB Hose Barb, Elbow, 1-1/4" MPT x 3/4" HB Hose Barb, Elbow, 1-1/4" MPT x 1" HB Hose Barb, Elbow, 1-1/4" MPT x 1-1/4" HB Hose Barb, Elbow, 1-1/4" MPT x 1-1/2" HB Hose Barb, Elbow, 1-1/2" MPT x 1-1/4" HB Hose Barb, Elbow, 1-1/2" MPT x 1-1/2" HB Hose Barb, Elbow, 2" MPT x 2" HB</p>	<p align="right">\$.88 1.40 1.40 .92 1.40 .98 1.40 1.40 1.40 1.02 1.02 1.77 1.18 1.77 1.53 1.82 1.50 2.22 1.93 2.34 2.22 2.22 6.38 6.38 5.32 5.83</p>
<p>FEMALE THREADED ELBOWS</p>  <p align="center">15166</p>	<p>15166 14737 12959 12960 13352 13355 15167</p>	<p>Threaded Elbow, Female, 1/2" x 1/2" Threaded Elbow, Female 3/4" X 3/4" Threaded Elbow, Female, 1" x 1" Threaded Elbow, Female, 1-1/4" x 1-1/4" Threaded Elbow, Female, 1-1/2" x 1-1/2" Threaded Elbow, Female, 2" x 2" Threaded Elbow, Female, 3" x 3"</p>	<p align="right">2.93 2.67 3.13 4.70 7.37 7.28 37.08</p>
<p>STREET ELBOWS</p>  <p align="center">15687</p>	<p>15687 13279 13280 13281 13282 13353 14525 15055</p>	<p>Street Elbow, 1/4" FPT x 1/4" MPT Street Elbow, 1/2" FPT x 1/2" MPT Street Elbow, 3/4" FPT x 3/4" MPT Street Elbow, 1" FPT x 1" MPT Street Elbow, 1-1/4" FPT x 1-1/4" MPT Street Elbow, 1-1/2" FPT x 1-1/2" MPT Street Elbow, 2" FPT x 2" MPT Street Elbow, 3" FPT x 3" MPT</p>	<p align="right">2.40 2.57 2.75 3.25 4.47 6.33 7.52 38.23</p>
<p>ELBOW BARBS</p>  <p align="center">16829</p>	<p>16829 16830 16831</p>	<p>Elbow Barb, 1/4" FPT x 3/8" HB Elbow Barb, 3/4" FPT x 1/2" HB Elbow Barb, 3/4" FPT x 3/4" HB</p>	<p align="right">1.57 1.63 3.85</p>

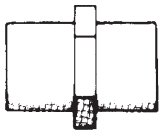
PIPE FITTINGS			
TEES AND BARBS			Retail Price
FEMALE THREADED TEES  <p style="text-align: right;">16863</p>	16863	Threaded Tee, Female, 1/4" FPT	\$ 3.15
	15168	Threaded Tee, Female, 1/2" FPT	2.85
	14731	Threaded Tee, Female, 3/4" FPT	3.05
	12961	Threaded Tee, Female, 1" FPT	4.40
	12962	Threaded Tee, Female, 1-1/4" FPT	6.10
	13351	Threaded Tee, Female, 1-1/2" FPT	7.28
	13354	Threaded Tee, Female, 2" FPT	9.08
	14732	Threaded Tee, Female, 3" FPT	43.27
TEE BARBS  <p style="text-align: right;">13288</p>	13288	Tee Barb, 3/8"	1.25
	16848	Tee Barb, 3/8" x 3/8" x 1/2"	1.07
	16849	Tee Barb, 1/2" x 1/2" x 3/8"	1.52
	12906	Tee Barb, 1/2"	2.43
	16850	Tee Barb, 3/4" x 1/2" x 1/2"	3.23
	13289	Tee Barb, 3/4"	3.23
	16851	Tee Barb, 1"	3.42
	15468	Tee Barb, 1-1/4"	2.73
	16852	Tee Barb, 1-1/2"	3.73
	14522	Tee Barb, 2"	7.82
MALE THREADED TEE BARBS  <p style="text-align: right;">16855</p>	16855	Tee Barb, Threaded, 1/4" MPT x 3/8" HB x 3/8" HB85
	16856	Tee Barb, Threaded, 1/4" MPT x 1/2" HB x 1/2" HB	1.03
	16857	Tee Barb, Threaded 3/8" MPT x 1/4" HB x 1/4" HB	1.03
	16858	Tee Barb, Threaded, 3/8" MPT x 3/8" HB x 3/8" HB	1.03
	16859	Tee Barb, Threaded, 3/8" MPT x 1/2" HB x 1/2" HB	1.10
	16860	Tee Barb, Threaded, 1/2" MPT x 3/8" HB x 3/8" HB	1.10
	16861	Tee Barb, Threaded, 1/2" MPT x 1/2" HB x 1/2" HB	1.13
	16862	Tee Barb, Threaded, 3/4" MPT x 3/4" HB x 3/4" HB	1.87
FEMALE THREADED TEE  <p style="text-align: right;">16853</p>	16853	Threaded Tee, Female 3/4" FPT x 3/4" HB	2.16
	16854	Threaded Tee, Female, 3/4" FPT x 1-1/4" HB	3.07
MALE THREADED TEE 	16847	Threaded Tee, Male, 1/2" MPT	1.82
GAUGE TEES  <p style="text-align: right;">16864</p>	16865	Tee, Gauge, 3/4" x 1/4"	14.82

PIPE FITTINGS

NIPPLES AND BUSHINGS

**Retail
Price**

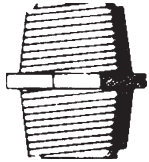
FEMALE COUPLINGS



15588

15588	Coupling, Female, 1/4" x 1/4"	\$2.98
15165	Coupling, Female, 1/2" x 1/2"	3.37
14733	Coupling, Female, 3/4" x 3/4"	3.37
13779	Coupling, Female, 1" x 1"	3.18
13780	Coupling, Female, 1-1/4" x 1-1/4"	5.17
14528	Coupling, Female, 1-1/2" x 1-1/2"	7.15
14529	Coupling, Female, 2" x 2"	8.15
14734	Coupling, Female, 3" x 3"	23.08

CLOSE NIPPLES



16879

16879	Close Nipple, 1/8" x 1/8"	.72
16880	Close Nipple, 1/4" x 1/4"	1.23
13271	Close Nipple, 3/8" x 3/8"	1.23
13272	Close Nipple, 1/2" x 1/2"	1.38
13207	Close Nipple, 3/4" x 3/4"	.95
11577	Close Nipple, 1" x 1"	1.37
14532	Close Nipple, 1-1/4" x 1-1/4"	2.05
12056	Close Nipple, 1-1/2" x 1-1/2"	2.52
12268	Close Nipple, 2" x 2"	2.85
14739	Close Nipple, 3" x 3"	8.93

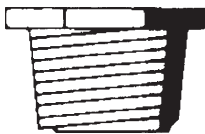
PIPE NIPPLES



14751

14751	Nipple, 3/4" x 4"	2.75
14530	Nipple, 1" x 4"	2.92
14752	Nipple, 1-1/4" x 4"	3.62
14531	Nipple, 1-1/2" x 4"	7.75
13356	Nipple, 2" x 4"	6.02
14753	Nipple, 3" x 4"	13.42
14747	Nipple, 3/4" x 6"	3.22
14748	Nipple, 1" x 6"	3.62
14646	Nipple, 1-1/4" x 6"	4.12
14614	Nipple, 1-1/2" x 6"	9.10
14749	Nipple, 2" x 6"	7.02
14750	Nipple, 3" x 6"	17.32

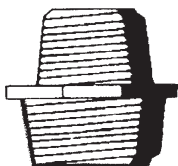
REDUCER BUSHINGS



16887

16887	Bushing, Reducer, 3/8" MPT x 1/4" FPT	2.20
16888	Bushing, Reducer, 1/2" MPT x 1/4" FPT	1.83
13277	Bushing, Reducer, 1/2" MPT x 3/8" FPT	2.20
16889	Bushing, Reducer, 3/4" MPT x 1/8" FPT	5.50
16890	Bushing, Reducer, 3/4" MPT x 1/4" FPT	2.20
15163	Bushing, Reducer, 3/4" MPT x 3/8" FPT	2.20
13278	Bushing, Reducer, 3/4" MPT x 1/2" FPT	2.20
14740	Bushing, Reducer, 1" MPT x 1/2" FPT	2.33
13757	Bushing, Reducer, 1" MPT x 3/4" FPT	1.93
14741	Bushing, Reducer, 1-1/4" x 3/4" FPT	2.33
13211	Bushing, Reducer, 1-1/4" x 1" FPT	2.33
14742	Bushing, Reducer, 1-1/2" MPT x 3/4" FPT	3.87
14743	Bushing, Reducer, 1-1/2" MPT x 1" FPT	3.87
13758	Bushing, Reducer, 1-1/2" MPT x 1-1/4" FPT	3.87
15164	Bushing, Reducer, 2" MPT x 3/4" FPT	2.80
14744	Bushing, Reducer, 2" MPT x 1" FPT	2.80
14527	Bushing, Reducer, 2" MPT x 1-1/4" FPT	4.20
13224	Bushing, Reducer, 2" MPT x 1-1/2" FPT	2.80
14746	Bushing, Reducer, 3" MPT x 1-1/2" FPT	14.02
14745	Bushing, Reducer, 3" MPT x 2" FPT	11.68


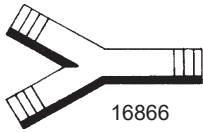
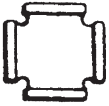
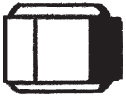

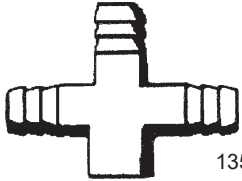
REDUCER NIPPLES



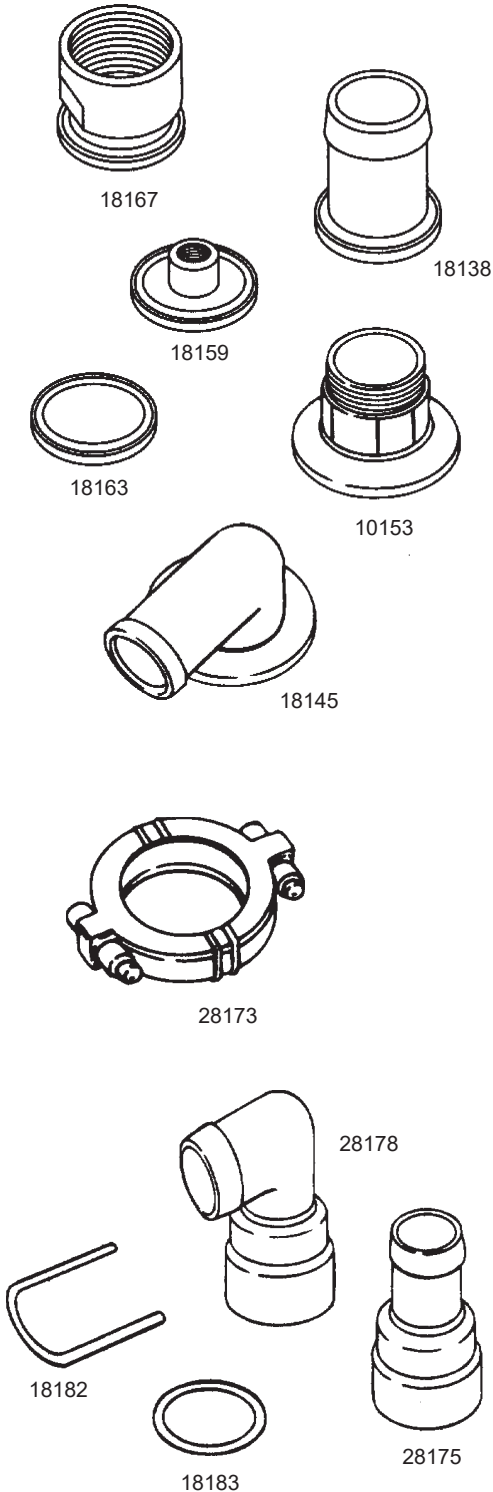
16881

16881	Nipple, Reducer, 3/8" x 1/8"	.38
16882	Nipple, Reducer, 3/8" x 1/4"	.38
16883	Nipple, Reducer, 1/2" x 1/8"	.43
16884	Nipple, Reducer, 1/2" x 1/4"	1.38
16885	Nipple, Reducer, 1/2" x 3/8"	1.66
16886	Nipple, Reducer, 3/4" x 3/8"	.73
15171	Nipple, Reducer, 3/4" x 1/2"	1.78
15172	Nipple, Reducer, 1" x 3/4"	2.10
15173	Nipple, Reducer, 1-1/4" x 1"	2.20
15174	Nipple, Reducer, 1-1/2" x 1-1/4"	3.88
15175	Nipple, Reducer, 2" x 1-1/2"	3.23
15176	Nipple, Reducer, 3" x 2"	8.90

PIPE FITTINGS

			Retail Price
<p>PIPE PLUGS</p>  <p style="text-align: right;">16891</p>	<p>16891 Pipe Plug, 1/8" HEX x 1/8" MPT</p> <p>16892 Pipe Plug, 1/4" HEX x 1/4" MPT</p> <p>16893 Pipe Plug, 3/8" HEX x 3/8" MPT</p> <p>15160 Pipe Plug, 1/2" HEX x 1/2" MPT</p> <p>13273 Pipe Plug, 3/4" HEX x 3/4" MPT</p> <p>13274 Pipe Plug, 1" HEX x 1" MPT</p> <p>14735 Pipe Plug, 1-1/4" HEX x 1-1/4" MPT</p> <p>14736 Pipe Plug, 1-1/2" HEX x 1-1/2" MPT</p> <p>14526 Pipe Plug, 2" HEX x 2" MPT</p> <p>12661 Pipe Plug, 3" HEX x 3" MPT</p>	<p style="text-align: right;">\$.28</p> <p style="text-align: right;">1.88</p> <p style="text-align: right;">1.85</p> <p style="text-align: right;">2.33</p> <p style="text-align: right;">2.33</p> <p style="text-align: right;">2.33</p> <p style="text-align: right;">2.33</p> <p style="text-align: right;">2.33</p> <p style="text-align: right;">2.33</p> <p style="text-align: right;">3.10</p> <p style="text-align: right;">14.67</p>	
<p>"Y" BARBS</p>  <p style="text-align: right;">16866</p>	<p>16866 Y-Barb, 3/8"</p> <p>16867 Y-Barb, 1/2"</p>	<p style="text-align: right;">2.42</p> <p style="text-align: right;">3.42</p>	
<p>FEMALE CROSS</p>  <p style="text-align: right;">15177</p>	<p>15177 Cross, Female, 3/4" FPT</p> <p>15178 Cross, Female, 1" FPT</p> <p>15342 Cross, Female, 1-1/4" FPT</p> <p>15179 Cross, Female, 1-1/2" FPT</p> <p>15180 Cross, Female, 2" FPT</p>	<p style="text-align: right;">14.95</p> <p style="text-align: right;">14.95</p> <p style="text-align: right;">22.28</p> <p style="text-align: right;">22.28</p> <p style="text-align: right;">22.73</p>	
<p>PIPE CAPS</p>  <p style="text-align: right;">16894</p>	<p>16894 Pipe Cap, 3/4" FPT</p> <p>15181 Pipe Cap, 1-1/2" FPT</p> <p>15182 Pipe Cap, 2" FPT</p> <p>15183 Pipe Cap 3" FPT</p>	<p style="text-align: right;">8.15</p> <p style="text-align: right;">6.38</p> <p style="text-align: right;">7.42</p> <p style="text-align: right;">26.53</p>	
<p>MANIFOLDS</p> 	<p>13614 Manifold, 8-1/2" Outlets x 3/4" Inlet</p> <p>13615 Manifold, 8 - 1/4" Outlets x 1/2" Inlet, Nylon</p>	<p style="text-align: right;">27.27</p> <p style="text-align: right;">37.80</p>	
<p>FEMALE THREADED CROSS</p>  <p style="text-align: right;">13524</p>	<p>13524 Female Threaded Cross, 1/4" FPT x 3/8" HB</p> <p>13525 Female Threaded Cross, 1/4" FPT x 1/2" HB</p>	<p style="text-align: right;">2.84</p> <p style="text-align: right;">2.84</p>	

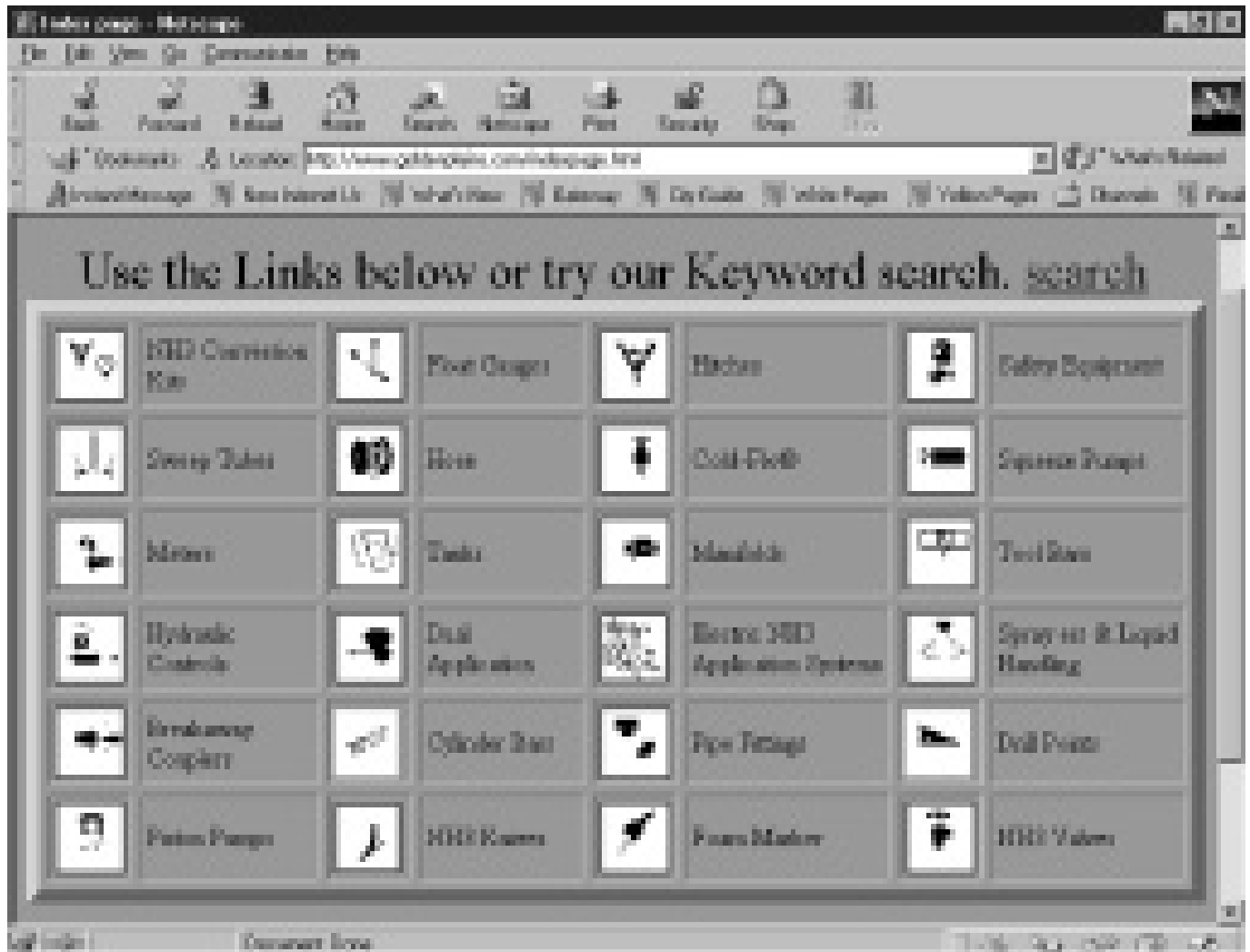
FLANGE & QUICK CONNECT FITTINGS



18138	Hose Barb, 50 series x 3/4" HB.....	\$1.32
18139	Hose Barb, 50 series x 1" HB.....	1.32
18140	Hose Barb, 75 series x 1-1/4" HB	3.53
18141	Hose Barb, 50 series x 1-1/4" HB	1.32
18142	Hose Barb, 75 series x 1-1/2" HB	3.53
18143	Hose Barb, 50 series x 1-1/2" HB	1.49
18144	Hose Barb, 75 series x 2" HB.....	3.53
18145	Hose Barb, Elbow, 50 series x 3/4" HB.....	1.63
18146	Hose Barb, Elbow, 50 series x 1" HB.....	1.63
18147	Hose Barb, Elbow, 75 series x 1-1/4" HB.....	5.98
18148	Hose Barb, Elbow, 75 series x 1-1/2" HB.....	5.98
18149	Hose Barb, Elbow, 75 series x 2" HB.....	5.98
18150	Coupling, 50 series	3.27
18151	Coupling, 75 series	9.17
18152	Coupling, Reducer, 50 series x 75 series.....	9.17
18153	Nipple, 50 series x 3/4" MPT.....	1.53
18154	Nipple, 50 series x 1" MPT.....	1.53
18155	Nipple, 75 series x 1-1/4" MPT.....	3.13
18156	Nipple, 50 series x 1-1/2" MPT.....	1.65
18157	Nipple, 75 series x 1-1/2" MPT.....	3.13
18158	Nipple, 75 series x 2" MPT.....	3.13
18159	Gauge Port, 50 series x 1/4" FPT	1.72
18160	Gauge Port, 50 series x 3/8" FPT	1.72
18161	Gauge Port, 75 series x 1/4" FPT	4.27
18162	Gauge Port, 75 series x 3/8" FPT	4.27
18163	Blank Cover, 50 series	1.53
18164	Blank Cover, 75 series	3.53
18165	Coupling, Elbow, 50 Series	4.37
18166	Coupling, Elbow, 75 Series	8.20
18167	Coupling, 50 series x 1" FPT.....	1.53
18168	Coupling, 50 series x 1-1/4" FPT	1.72
18169	Coupling, 75 series x 1-1/2" FPT	4.27
18170	Tee, Reducer 50 series x 75 x 75.....	8.80
18171	Tee, 50 series.....	8.80
18172	Tee, 75 series.....	9.39
28173	Clamp, 50 series	6.40
28174	Clamp, 75 series	13.60
28175	Hose Barb, QC x 1/2" HB.....	6.87
28176	Hose Barb, QC x 3/4" HB.....	6.87
28177	Hose Barb, QC x 1" HB.....	6.87
28178	Hose Barb, Elbow, QC x 1/2" HB	6.87
28179	Hose Barb, Elbow, QC x 3/4" HB	6.87
28180	Hose Barb, Elbow, QC x 1" HB	6.87
28181	Outlet, 50 series x QC.....	6.87
18182	Clip, QC retaining	1.60
18183	O-Ring, QC Viton	3.69

NOTES

For a complete listing of our product line, detailed information, and descriptions, see our web page at GoldenPlains.com



You can also use our convenient search engine to find exactly what you need.

Use the form below to search the Golden Plains Catalog.

Text to Search For	<input type="text"/>
Boolean: <input type="checkbox"/> AND <input type="checkbox"/>	Case: <input type="checkbox"/> Inclusive <input type="checkbox"/>
<input type="button" value="Search"/> <input type="button" value="Reset"/>	

Index

A-		-P-	
ACE Pumps.....	13	Pipe Fittings.....	21
Ammonia Valves	18	Piston Pumps	13
		Planter Attachments	11
-B-		Polypro Fittings.....	32 - 36
Ball-type Flow Indicators	14	Pressure Gauges, NH ₃	17
Ball Valves.....	30	Pump Stands	11
Barbs, NH ₃	17	Pumps, Squeeze.....	11
Bolts, U.....	10	Pumps, Centrifugal	13
Breakaway Couplers	19 - 20	Pumps, Piston	13
Bungs, Tank.....	24		
		-Q-	
-C-		Quick Couplers	19 - 20
Cam-Loc Couplers	31		
Cold-flo.....	18	-R-	
Continental Valves, Meters.....	17 - 18	Relief Valves, NH ₃	19
		Relief Valves, Pressure	19
-D-			
Drill Points.....	5	-S-	
		Safety Equipment/Decals.....	22
-E-		Shutoffs	17
Extensions, Hitch	10	Slot Tracker	5
		Sprayer Parts	26 - 30
-F-		Squeeze Pumps.....	11
Fittings, Flange	37	Squeeze Pump Parts.....	12
Fittings, Steel.....	21	Stands, Pump	11
Flo-Divider	18	Stands, Tank.....	25
Flow Indicator.....	14	Sweep Tubes, (5' - 7').....	6
-G-		-T-	
Gauges, NH ₃	17	T-Strainers	30
Gauges, Sprayer	30	Tanks	24
		Tank Gauges.....	17
-H-		Tank Bungs.....	24
Hitches	9	Tank Stand Assemblies.....	25
Hose	23	Tank Valves.....	18
Hose Barbs	33 - 34	Tips, Spray	26
Hose Clamps	23	Transfer Hose	23
Hydraulic Drive.....	11	Tubes, Cold-flo.....	4, 7
Hydraulic NH ₃ Controls.....	17	Tubes, (Fallow-Master/King)	6 - 7
		Tubes, Liquid	4 - 8
-K-		Tubes, (Kent, Krause, Wetherell)	8
Knife Accessories	4	Tubes, Sweep	6
Knives	3 - 4		
		-U-	
-L-		U-Bolts.....	10
Lids/Water Container	22		
Lids/Tank	25	-V-	
Line Strainer	30	Valves, Ball.....	30
		Valves, Gate.....	30
-M-		Valves, Union.....	30
Manifold, electric, liquid	14	Valves, Pressure Relief.....	19
Manifold, liquid	14	Vertical Dam Manifold	17
Manifold, Vertical Dam	17		
Meters, NH ₃	17	-W-	
		Wheel-on-Wheel, Sq. Pump.....	11
-N-		Wheel-on-Wheel, Piston Pump	11
NH ₃ Fittings.....	19		
		-X, Y, Z-	
-O-		Y-Barbs.....	36
Orifice, Discs	29	Y-Strainers	30
Orifice, NH ₃ Barbs	17		